

# BBNRV

## CHECK VALVE

### Description

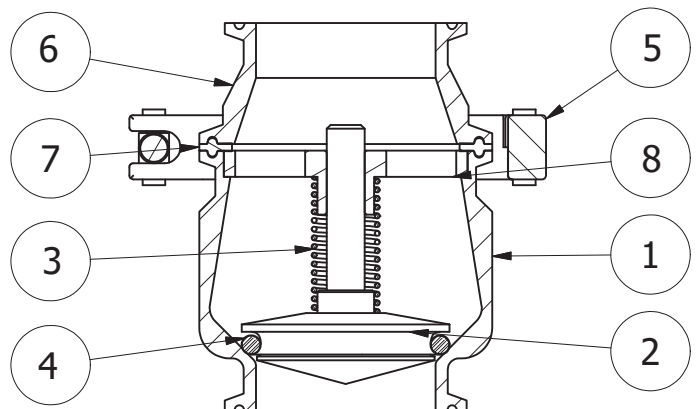
Check valve **BBNRV** prevents fluid from flowing backwards. It ensures that fluid flows in only one direction.

It can be used to prevent water hammer.

Check valve opens when the pressure of the fluid exceeds the pressure applied by the spring. When the two pressures are compensated, the valve closes. A higher counter-pressure will ensure the valve closes. Valve design is optimized for vertical position installation.

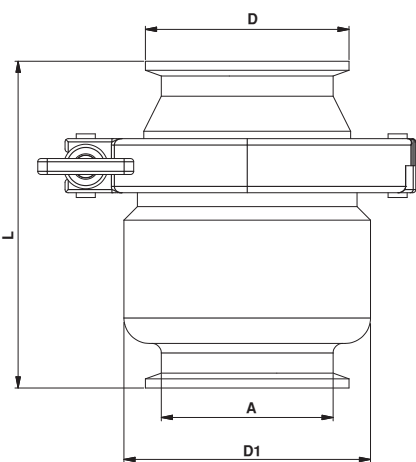
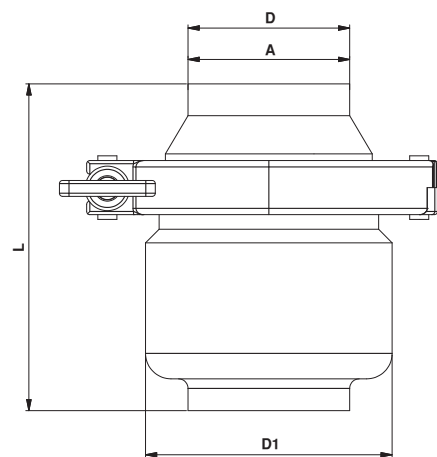
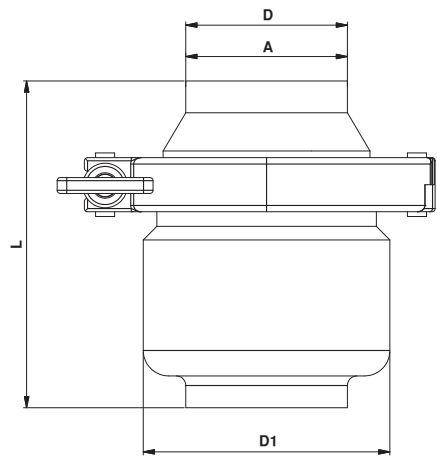


| VALVE STRUCTURE   |                                     |
|---|-------------------------------------|
| Connections from DN15 to DN150 - 1/2" to 4"                     | DIN 11850-2, BS (RJT), Clamp        |
| Material in contact with the product                            | AISI 316L (1.4404)                  |
| Material gaskets in contact with the product (FDA homologation) | EPDM, FKM, VMQ                      |
| Max product temperature (EPDM applications with air)            | 140 °C (280 °F)                     |
| Min product temperature (EPDM applications with air)            | -10 °C (14 °F)                      |
| Max working pressure  | 10 bar (145 psi)                    |
| Roughness   | Ra ≤ 0.8 std<br>Ra ≤ 0.4 On request |



| PARTS LIST |             |
|------------|-------------|
| Pos.       | Description |
| 1          | Valve body  |
| 2          | Plug        |
| 3          | Spring      |
| 4          | O-ring      |
| 5          | Clamp       |
| 6          | Reducer     |
| 7          | Gasket      |
| 8          | Diaphragm   |

# BBNRV CHECK VALVE DIMENSIONS



| DN  | S/S    |     |      |       |
|-----|--------|-----|------|-------|
|     | A      | D   | D1   | L     |
| 25  | 29x1.5 | 29  | 50,5 | 94    |
| 32  | 35x1,5 | 35  | 50,5 | 95    |
| 40  | 41x1,5 | 41  | 64   | 101,5 |
| 50  | 53x1.5 | 53  | 77,5 | 102   |
| 65  | 70x2   | 70  | 106  | 123   |
| 80  | 85x2   | 85  | 130  | 127   |
| 100 | 104x2  | 104 | 148  | 124   |
| 125 | 129X2  | 129 | 160  | 145   |
| 150 | 154X2  | 154 | 210  | 164   |

| OD     | S/S        |       |      |     |
|--------|------------|-------|------|-----|
|        | A          | D     | D1   | L   |
| 1/2"   | 12,7X1,65  | 12,7  | 25   | 74  |
| 3/4"   | 19X1.65    | 19    | 40   | 75  |
| 1"     | 25.4X1.65  | 25,4  | 50,5 | 94  |
| 1" 1/2 | 38.1x1.65  | 38,1  | 64   | 95  |
| 2"     | 50.8x1.65  | 50,8  | 77,5 | 102 |
| 2" 1/2 | 63.5x1.65  | 63,5  | 91   | 110 |
| 3"     | 76.2x1.65  | 76,2  | 119  | 125 |
| 4"     | 101.6x2.11 | 101,6 | 129  | 136 |

| OD     | CLAMP      |      |      |     |
|--------|------------|------|------|-----|
|        | A          | D    | D1   | L   |
| 1/2"   | 12,7x1,65  | 25   | 25   | 74  |
| 3/4"   | 19X1.65    | 25   | 40   | 75  |
| 1"     | 25.4X1.65  | 50,5 | 50,5 | 94  |
| 1" 1/2 | 38.1x1.65  | 50.5 | 64   | 95  |
| 2"     | 50.8x1.65  | 64   | 77,5 | 102 |
| 2" 1/2 | 63.5x1.65  | 77,5 | 91   | 110 |
| 3"     | 76.2x1.65  | 91   | 119  | 125 |
| 4"     | 101.6x2.11 | 119  | 129  | 136 |