

Instruction, Use and Maintenance Manual



MIXPROOF VALVE

BZAW3

BYAW3

BWAW3

BZAW3PG

Bardiani Valvole S.p.A.

via G. di Vittorio, 50/52 - 43045 Forno di Taro (PR) - Italy

tel. +39 0525 - Fax 0525 3408

bardiani@bardiani.com - www.bardiani.com

INDEX

1	Safety, Warning and Mandatory Signs	5
1.1	Operator training	8
2	General safety Warnings	9
2.1	General safety warnings	9
2.2	Electrical device	9
3	Technical data	10
4	Checking / Unpacking / Lifting	11
5	Installation	13
6	Operation	16
7	Troubleshooting	17
8	Cleaning	18
9	Disposal	21
10	Maintenance	22
10.1	General maintenance	22
10.2	Scheduled maintenance	23
10.3	Tools useful for Disassembly/Reassembly	24
10.4	Mixproof Valve BZAW3	25
10.5	Disassembly of the BZAW3 - BZAW3	27
A	Disassembly of the BZAW3	29
B	Disassembly of the BZAW3	43
10.6	Assembly of the BZAW3	50
A	Assembly of the BZAW3	54
B	Assembly of the BZAW3	62
10.7	Mixproof Valve BZAW3 Diverter	68
10.8	Disassembly of the BZAW3 Diverter	71
10.9	Assembly of the BZAW3 Diverter	88
A	Assembly of the BZAW3 Diverter	92
B	Assembly of the BZAW3 PTFE diverter	99
11	Annexes	106
12	2D diagram BZAW3	107
13	2D Diagram BYAW3	108
14	2D Diagram BZAW3	109
15	2D diagram BZAW3 M8	110
16	2D diagram BYAW3 M8	111
17	2D diagram BZAW3 Diverter	112
18	2D Diagram BYAW3 Diverter Steam Barrier	113
19	2D Diagram BZAW3 M8 Diverter (PTFE)	114

20	2D Diagram BZAW3PG	115
21	Warranty	116
22	Recommendations	117

MANUAL REVISION	DATE

FOREWORD

This "Instruction, Use and Maintenance Manual" has been prepared to provide guidance and recommendations to assist qualified skilled technicians in the understanding, running and maintenance of the Products supplied.

It forms an integral part of the Products supplied and must be read prior to any installation, operation and/or maintenance of all types of valves provided.

This manual must be saved for future reference and be kept readily available at the unit.

With regards to the use of valves compliant with EU Directive 2014/34/UE (ATEX), consultation of a specific manual is mandatory.

The essential characteristics of all types of valves described herein being consistent, the Manufacturer reserves the right to alter and or complement and or update at any time and with no obligation to notify so in writing, the data and or information relevant to the use of the valves described in this "Instruction, Use and Maintenance Manual".






A constantly updated version of this "Instruction, Use and Maintenance Manual" is available at the Manufacturer's website www.bardianivalvole.it.







Under no circumstance shall the Manufacturer be held liable for consequences resulting from failure and or improper use of the instructions contained in this Manual and relating to the installation, operating, maintenance and storage of the products.




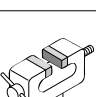
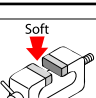
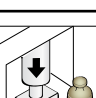
All rights reserved.




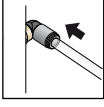
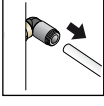
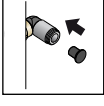
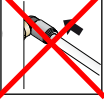



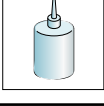


Full or part reproduction, transfer and or recording of any part of this "Instruction, Use and Maintenance Manual" by all means, whether it be electronic, on hard copy, mechanical or any other means or recording or reuse is strictly prohibited without the prior written consent of the Manufacturer and for any use other than that of the Buyer.

1 Safety, Warning and Mandatory Signs

WARNING SIGNS		
Pictogram	Description	Notes
	WARNING General	This tells the person in question that the operation described involves (when not performed in accordance with the relative safety regulations) the risk of personal injury.
	WARNING Hand crushing	Exercise caution in executing the procedure Hand crushing hazard. Never touch the moving parts if the actuator is supplied with compressed air.
	WARNING Heavy loads	Exercise caution in executing the procedure Heavy suspended loads.
	WARNING Severe burns	Heat emission hazard Very hot surface, risk of severe burns
	WARNING Risk of explosions	Take Care, risk of explosions

MANDATORY SIGNS (FOR THE OPERATOR IN CHARGE OF MECHANICAL MAINTENANCE AND THE OPERATOR IN CHARGE OF ASSEMBLY/DISASSEMBLY)		
Pictogram	Description	Notes
	OBLIGATION General	Special instructions must be followed to avoid injury to persons.
	PROTECTIVE GLOVES	Protective gloves must be available for handling objects which could cause hand injuries or when there is the possibility of coming into contact with harmful substances..
	HARD HAT	Hard hats must be available when lifting heavy parts.
	FOOTWEAR	Use safety footwear to protect against injuries caused by falling objects during maintenance operations (particularly when dismantling parts).
	SUITABLE CLOTHING	Suitable clothing such as overalls. It is strictly prohibited to wear clothes with large flapping sleeves and/or other loose items which could easily get caught up in machine parts.
	SAFETY GLASSES	Protective glasses must be available when there is the possibility of contact which harmful substances which could cause eye injuries.

OPERATING SIGNS		
Pictogram	Description	Notes
	SKILLED PERSONNEL	Dismantling/Assembling and maintenance operations must be carried out by expert technicians only.
	NOTE	Follow the indicated note with care
	ENVIRONMENTAL NOTE	Follow the regulations in force in the country of used governing waste disposal.
	CLAMP	Use of a clamp
	CLAMP WITH SOFT JAWS	Use of a clamp with jaws made from soft material
	PRESS	Use of a press

OPERATING SIGNS		
Pictogram	Description	Notes
	PRESS (release)	Use of a press Gradual release of the pressure force
	ELECTRICAL CONNECTION	Electrical connection to the control unit (consult the relative instruction manual).
	ELECTRICAL DISCONNECTION	Electrical disconnection from the control unit (consult the relative instruction manual).
	PNEUMATIC CONNECTION	Connection of the air to the valve.
	PNEUMATIC DISCONNECTION	Disconnection of the air from the valve
	PLUG INSERTION	Insertion of the plug in the three-way connector when air is connected to the valve.
	DO NOT CONNECT AIR	Don't connect compressed air
	APPLICATION OF FOODSAFE GREASE	Use CIP-FILM grease or similar
	APPLICATION OF FOODSAFE GREASE	Use FOODLUBE Multi-paste grease or similar
	APPLICATION OF MULTI-PURPOSE GREASE	Use AGIP GREASE MU EP 2 SE or similar
	THREADLOCK APPLICATION	Use SPEED BOND M500 threadlock or similar
	ASSEMBLY / DISASSEMBLY SEQUENCE	Sequence of assembly disassembly operations
	OPTIONAL	

1.1 Operator training



All persons who have to work on the valve must be qualified to carry out the relative maintenance tasks. They must be informed as to the possible hazards involved and must observe all the safety instructions set out in this manual. Allow expert personnel only to work on the electrical components.

2 General safety Warnings

2.1 General safety warnings



Intended use

Bardiani valves have been designed exclusively for moving fluids.

Prohibited use

The valve must not be used:

- for any operations different to those described under the heading “Intended Use”,
- for handling fluids different to the type specified by the manufacturer and indicated in the valve's technical data.
- for moving fluids at different pressures to those envisaged by the manufacturer and indicated in the valve's technical data.

Limitations on valve use

It is forbidden to:

- use the valve in a construction configuration different to the one envisaged by the manufacturer.
- use the valve where there is a risk of explosion and/or fire, unless envisaged by the manufacturer (if the valves are certified in accordance with Directive 2014/34/EU, please refer to the ATEX Manual)-;
- integrate other systems and/or equipment which were not considered by the manufacturer during the executive design phase,
- use the valve for purposes other than those specifically envisaged by the manufacturer.



WARNING

The machine may not be used inside premises where there is a potentially explosive atmosphere or risk of fire unless otherwise stated by the manufacturer (in the case of valves certified in accordance with Directive 2014/34/EU please refer to the ATEX Manual).



BARDIANI VALVOLE S.p.A. declines all liability for installation, use or maintenance which fails to comply with the indications provided in this manual!

2.2 Electrical device

(see the control unit manual)

3 Technical data

VALVE DATA	
Maximum pressure	10 bar
Maximum seal pressure	See catalogue
Storage temperature	from -10°C to 25°C
Material in contact with the product	AISI 316L (1.4404). Check the resistance to corrosion in relation to products and detergents
Gasket material in contact with the product	EPDM, FKM, HNBR and other gaskets on request. Check compatibility with products and detergents
Surface finish in contact with the product	Ra 0.8 µm. Other finishes available on request

VAPOUR BARRIER DATA	
Connectors	1/8" BSP
Steam maximum temperature	130°C (266°F)
Gaskets material	FKM

PNEUMATIC ACTUATOR DATA	
Connectors	1/8" BSP
Pipe dimensions	6 mm external diameter, 4 mm internal diameter
Air pressure	from 6 bar (87 psi) to 8 bar (116 psi)
Air quality	Class 2, 4, 3 ISO8573-1
External material	AISI 304L (1.4307)
Seals	NBR
Noise levels	76 dB
Electrical supply	See Giotto Top

GASKET MATERIALS COMPATIBILITY			
Product	EPDM	FKM	HNBR
Temperature (applications with air)	from -10°C to +140°C	from -10°C to +200°C	from -10°C to +130°C
Caustic soda 2%	60°C	30°C	To be checked
Nitric Acid 2%	60°C	80°C	To be checked
Saturated steam 125°C	Suitable	To be checked	Suitable
Greases	Unsuitable	Suitable	Suitable
Alcohols	Suitable	Unsuitable	Suitable



The valve complies with PED 2014/68/EU directive, with special reference to Annex III, Module A, concerning internal manufacturing checks as indicated in the Conformity Assessment Procedures.



Valves with DN equal or smaller than DN25 are not included in compliance with Article 4, paragraph 3.

Valves designed for use with gases, liquefied gases, gases dissolved under pressure, vapours and also those liquids whose vapour pressure at the maximum allowable temperature is greater than 0,5 bar above normal atmospheric pressure (1 013 mbar) are included within the following limits:

- valves with DN between DN32 and DN100 [included] with group 1 fluids;
- valves with DN125 or bigger with group 2 fluids.

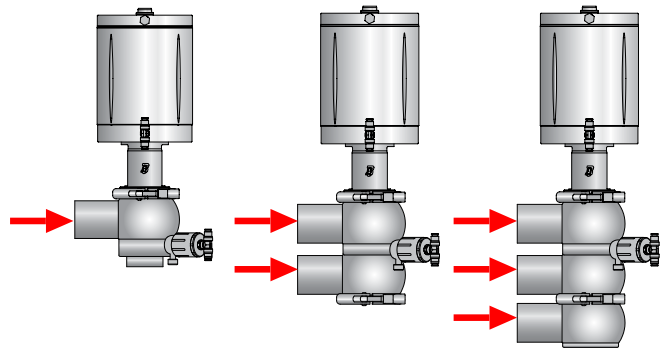
The end user is asked to carry out the acoustic emission tests once the valve has been installed in the destination plant.

In the event of any doubt, please contact Bardiani Valvole S.p.A.

4 Checking / Unpacking / Lifting

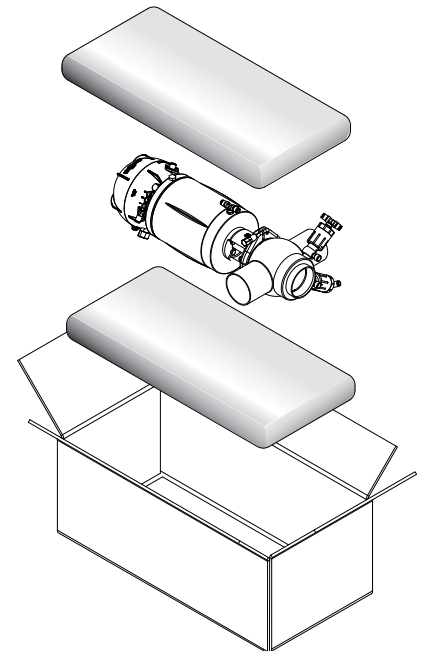
1. CHECK:

- Check the valve show no signs of damage caused during transport and that it corresponds with the order;
- Check the inside of the valve.



2. UNPACKING:

The valve packaging is made up of cardboard, wood and plastic. The valve is mainly made up of metal materials. The gaskets are usually made from elastomers. Disposal must be in compliance with local legislation.





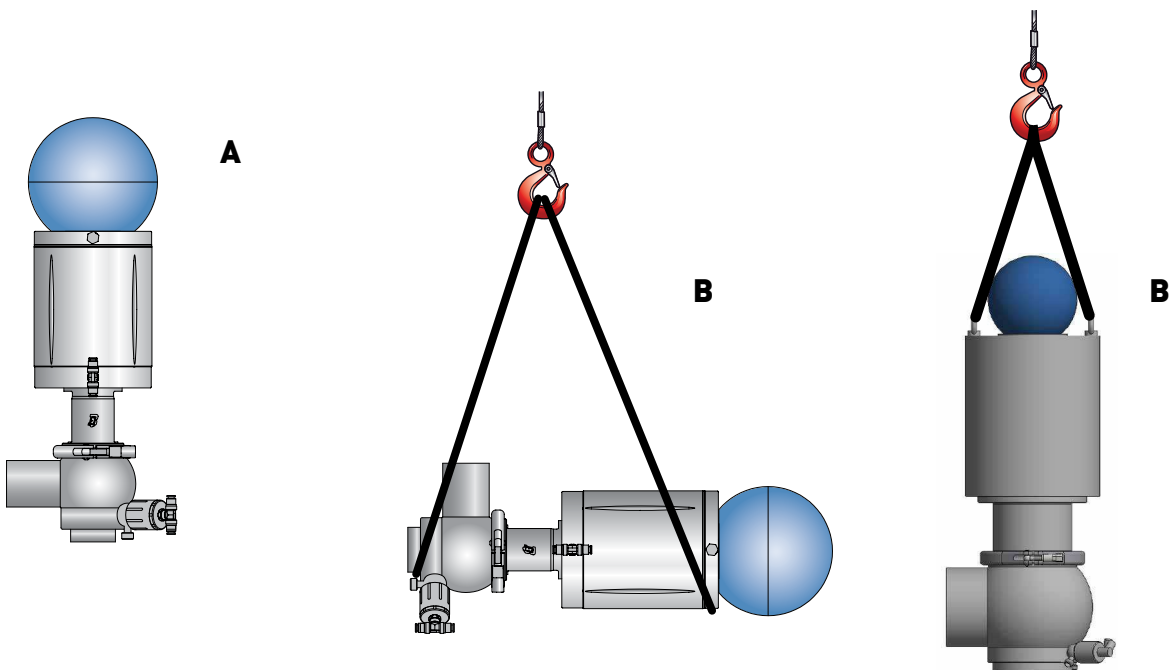
3. VALVE LIFTING:

Take care as to the type of valve you are handling. Based on the size there are different lifting procedures.



CAUTION!

Before lifting the valve, make sure there are no disassembled or separate valve parts which could fall off causing injury to persons and damage to the valve.



CAUTION!

The figures above are used purely to represent the methods and procedures for hoisting the valves. Handle the device according to the regulations in force in the country of use.

Bardiani Valvole S.p.A. declines all liability for any damage to things and/or injuries to persons caused by improper and/or incorrect hoisting of the valve.

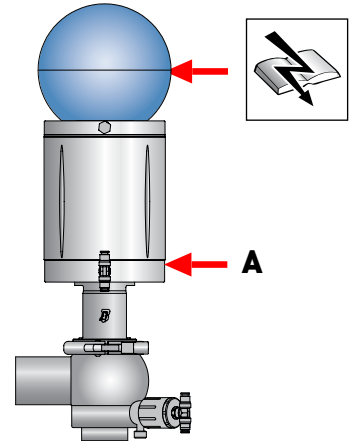
5 Installation



1. ELECTRICAL AND PNEUMATIC ENERGY SUPPLY

- Use expert personnel for installation/uninstallation operations;
- Check that the air pressure and quality are correct (see "Technical Data");
- Check the power supply to the control unit is correct (consult the relative instruction manual).

A = Upward movement of the valve member



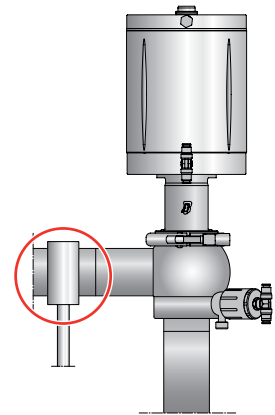
2. REDUCING THE STRESS TO WHICH THE VALVE IS SUBJECTED:

- Vibrations;
- Thermal expansion of the piping;
- Excessive welding;
- Overload.



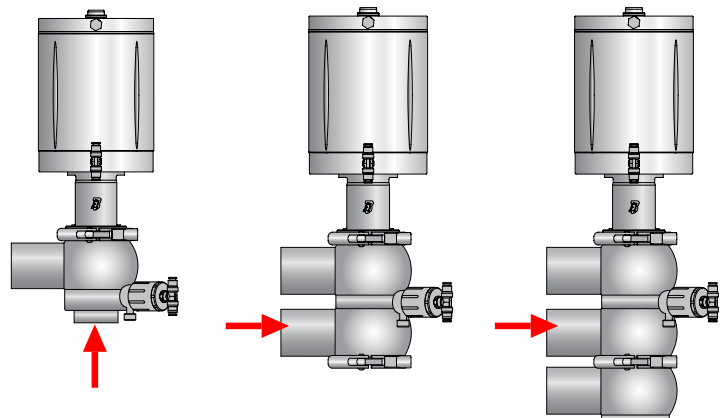
CAUTION!

The seal seats may become deformed or cause valve malfunctioning.



3. CORRECT DIRECTION OF FLOW:

Flow in the opposite direction to valve closure minimizes water hammer.



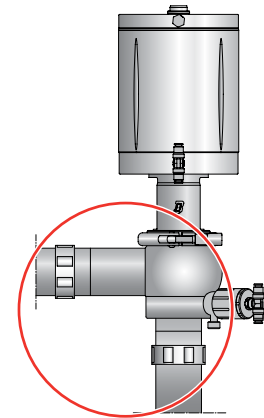
CAUTION!

Bardiani Valvole S.p.A. declines all liability for any damage to things and/or injuries to persons caused by any failure to correctly follow the installation procedures.



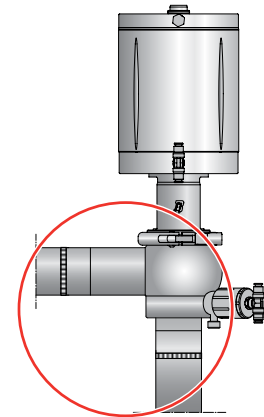
4. VALVE CONNECTIONS/CONNECTORS:

If the valve is fitted with connectors, you may proceed with installation. Correctly insert the gaskets and tighten the connectors.



5. WELDING THE VALVE BODY ONTO PIPING:

Remove the body from the rest of the valve before proceeding with welding operations. Please refer to the following pages in this manual.



CAUTION!

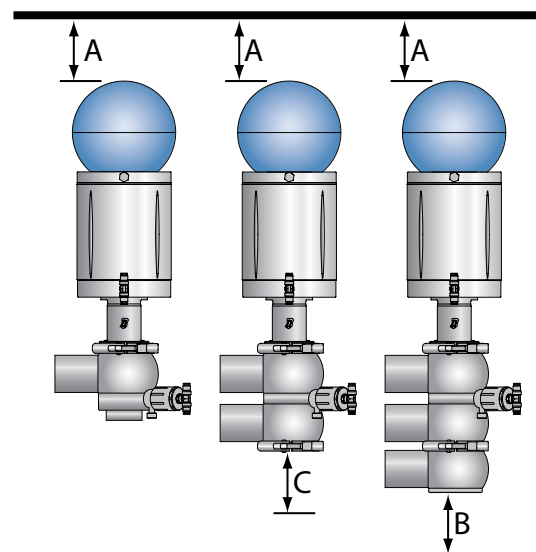
Hand crushing hazard. During operation there is a risk of crushing inside the valve body in the area between the actuator and the valve body.



6. MINIMUM MAINTENANCE CLEARANCES:

Make sure there is enough room around the valve for it to be disassembled (with the control unit installed).

BZAW3			
Valve dimension (DN)	A (mm)	B (mm)	C (mm)
25	225	130	60
40	225	150	60
50	285	155	60
65	300	155	60
80	315	155	60
100	330	155	60
125	350	250	60
150	350	250	60

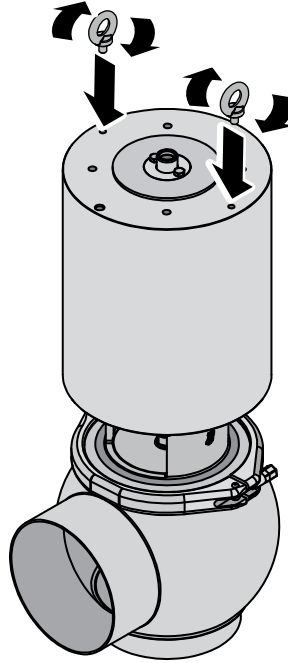


CAUTION!

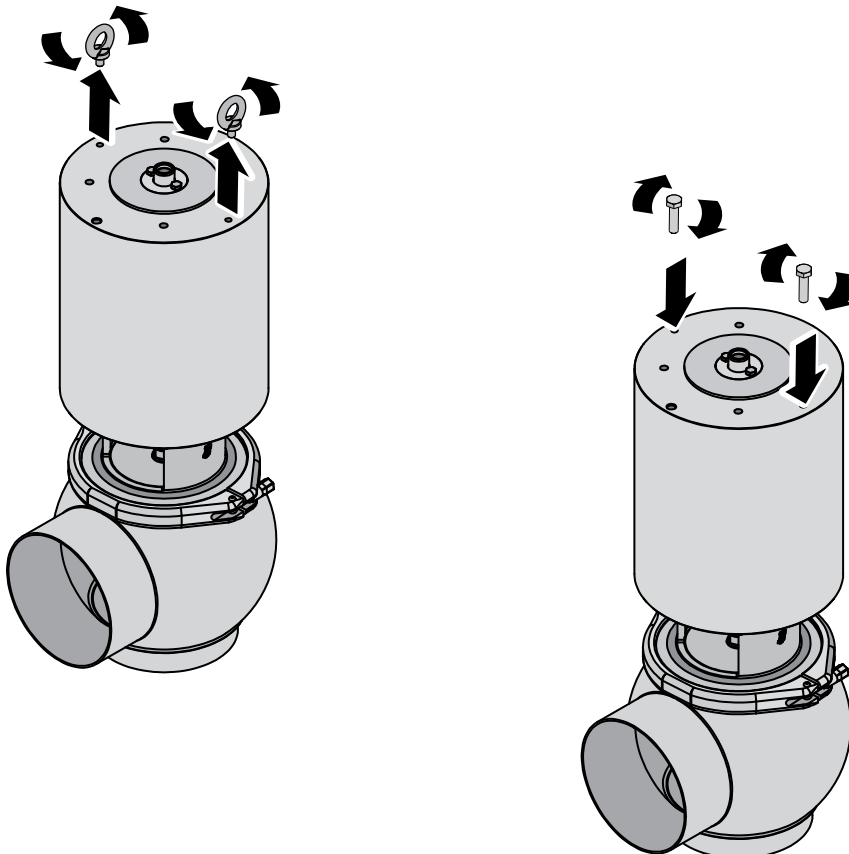
Bardiani Valvole S.p.A. declines all liability for any damage to things and/or injuries to persons caused by any failure to correctly follow the installation procedures.

**7. PREPARING THE VALVE FOR INSTALLATION:**

To move the valve (dn125-dn150), first screw in the eye bolts.



Once valve installation has been completed, remove the eyebolts and put the screws back in.



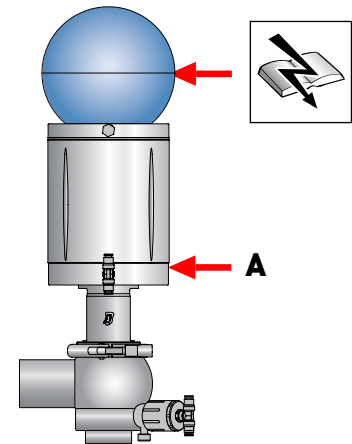
6 Operation



1. VALVE INSPECTION BEFORE OPERATION:

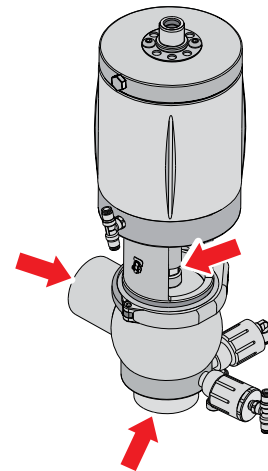
- Supply air to the actuator;
- Power the valve (via the control unit);
- Open and close the valve several times;
- Check that the valve works correctly and accurately.

A = Upward movement of the valve member



CAUTION!

Hand crushing hazard. During operation there is a risk of crushing inside the valve body in the area between the actuator and the valve body.



7 Troubleshooting



PROBLEM	POSSIBLE CAUSE	POSSIBLE SOLUTION
External leak	Worn gasket	Replace the seal
Leaks inside the closed valve caused by normal wear		
External leak	Excessive pressure	Replace with a gasket of a different type of elastomer
	Excessive temperature	
Premature leaks inside the closed valve	Aggressive fluids	Modify the operating conditions
	Too many commands active	
Difficulty opening and closing	Incorrect type of elastomer used for the gaskets	Replace with a gasket of a different type of elastomer
	Incorrect positioning of the actuator	Install the actuator correctly
	Impurities in the actuator	Actuator inspection and maintenance
	Incorrect valve body positioning	Disassemble and correctly reposition the valve body

8 Cleaning



1. VALVE CLEANING WITH DETERGENTS:

The system in which the valve is installed must be cleaned by expert personnel in observance of the following:

- Abide by the indicated detergent concentration values;
- Observe the instructions provided by the detergent manufacturer.
- Always wear protective safety glasses and gloves.



IMPORTANT!

- Accurately dose detergents to avoid excessive concentration;
- Always rinse thoroughly with clean water after washing.
- Check compatibility of valve materials.



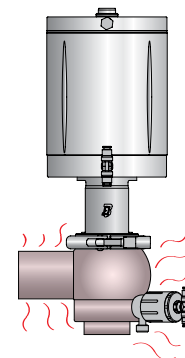
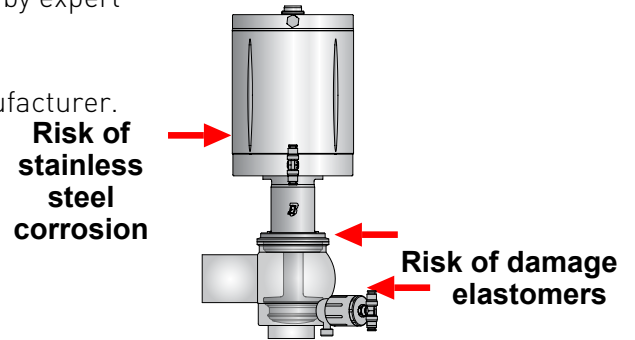
CAUTION!

Burns hazard. The valves and piping may be very hot. Wear protective gloves



WARNING

After installing a new or serviced valve, perform an internal washing cycle before using the piping for food liquids. If it there has been any welding work, passivation treatment must be carried out.



EXAMPLE OF INTERNAL WASHING CYCLE (CIP)		
Phases	Temperature °C	Washing product
Initial rinse	Environment	Chlorine- and chloride-free water
Washing	70 °C	Caustic soda (NaOH) at 1%
Intermediate rinse	Environment	Chlorine- and chloride-free water
Washing	70 °C	Nitric acid (HNO3) at 0.5%
End rinse	Environment	Chlorine- and chloride-free water

Recommended washing product velocity = 2m/s

	EPDM	FKM
Product		
Max temperature	95°C	95°C
Min temperature	-20 °C	-5 °C

	EPDM	FKM
Steam		
Maximum continuous temperature	130°C	120°C
Maximum temperature (for a period of 15-20 minutes)	150 °C	140 °C

	EPDM	FKM
Soda caustica		
Diluted cleaning solution	<5%	<5%
Min temperature	1 °C	1° C
Max temperature	80 °C	80 °C

	EPDM	FKM
Acido (Nitrico / Fosforico / Acido peracetico)		
Diluted cleaning solution	<2%	<2%
Min temperature	1 °C	1° C
Max temperature	40 °C	65 °C

	EPDM	FKM
Disinfezione		
Diluted disinfectant (based on peracetic acid)	<0,7%	<0,7%
Min temperature	1 °C	1° C
Max temperature	30 °C	30 °C



2. INTERMEDIATE CHAMBER CLEANING

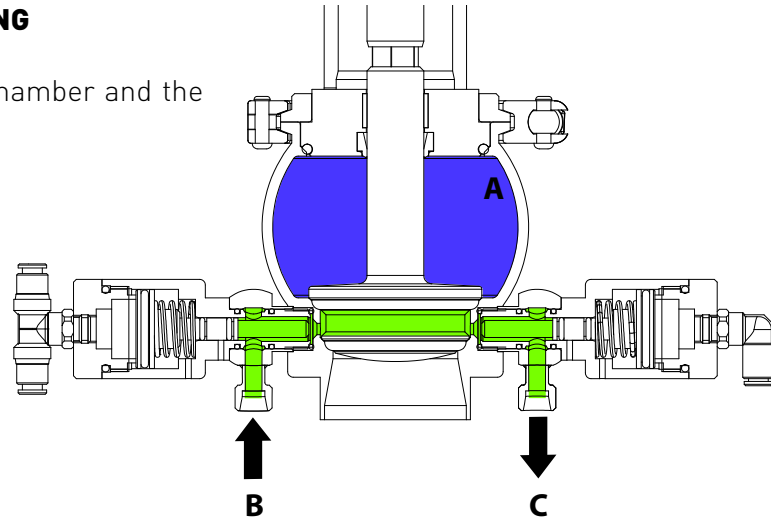
Close the valve.

Clean and sterilize the intermediate chamber and the body of the auxiliary valves.

A=Product

B=CIP/ Steam inlet

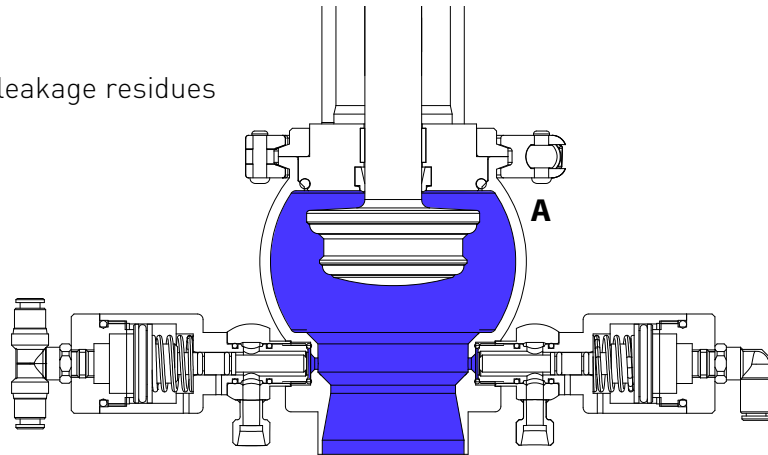
C=CIP / Steam outlet



Open the valve

Clean the valve body and remove any leakage residues from the auxiliary valves.

A=CIP



Operations to be performed:

ALWAYS read the technical data indicated in Chapter 3

ALWAYS release the compressed air after use

NEVER touch the assembly or the actuator pin when the cylinder is connected to the compressed air supply.

NEVER touch the piping when using hot products or during sterilization procedures.

ALWAYS handle caustic soda and acid with great care.

ALWAYS keep the cleaning pressure below the product pressure.

NEVER deform the auxiliary valve outlet pipe.

9 Disposal



At the end of its service life, the device must be recycled in accordance with the legislation in force in the country of valve use.

Any hazardous residues must be taken into consideration and adequately handled.

The valve is made of AISI 316L and AISI 304 stainless steel, elastomers (gaskets), plastic (control unit) and electrical components (terminal boards, solenoid valves, sensors).

Adhere to the following steps before disconnecting the valve and refer to the heading "General Maintenance".

- make sure the line on which the valve is installed in is not in use
- empty the line on which the valve is installed and clean if necessary
- disconnect the air supply if it is not required during dismantling
- disconnect the valve from the power supply
- remove the valve from the system
- move the valve in observance of the rules set out in the heading "Lifting"
- to dismantle the valve, refer to the heading "Disassembly"

10 Maintenance

10.1 General maintenance



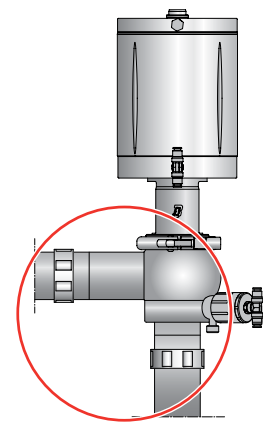
1. MAINTENANCE PRECAUTIONS

Maintenance operations must be carried out by expert technicians only.



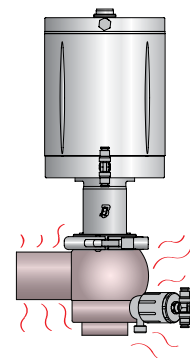
CAUTION!

Maintenance operations must be carried out with the line stopped and all utilities (electricity, compressed air) disconnected.



CAUTION!

Always discharge the fluid pressure in the valve and piping before disassembling the valve.



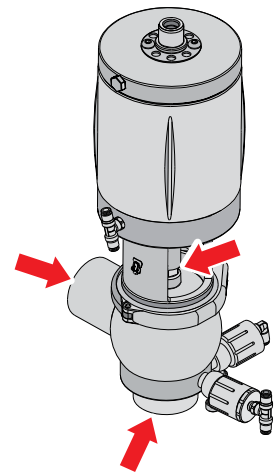
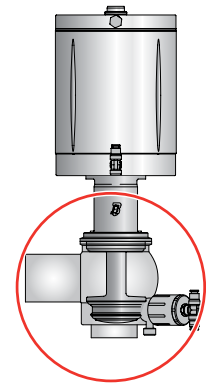
CAUTION!

Burns hazard. The valves and piping may be very hot. Wear protective gloves



2. CLEANING AWAY DEPOSITS:

- Thoroughly wash and clean all the valve parts before disassembly;
- Pay attention to any possible detergent or other aggressive fluid deposits (see "Cleaning");
- Always use protective safety glasses and gloves when required.



CAUTION!

Hand crushing hazard. During operation there is a risk of crushing inside the valve body in the area between the actuator and the valve body.



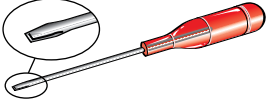


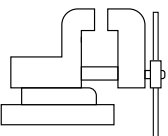
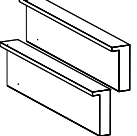
3. REPLACEMENT OF WORN VALVE PARTS:

Always use original spare parts

10.2 Scheduled maintenance

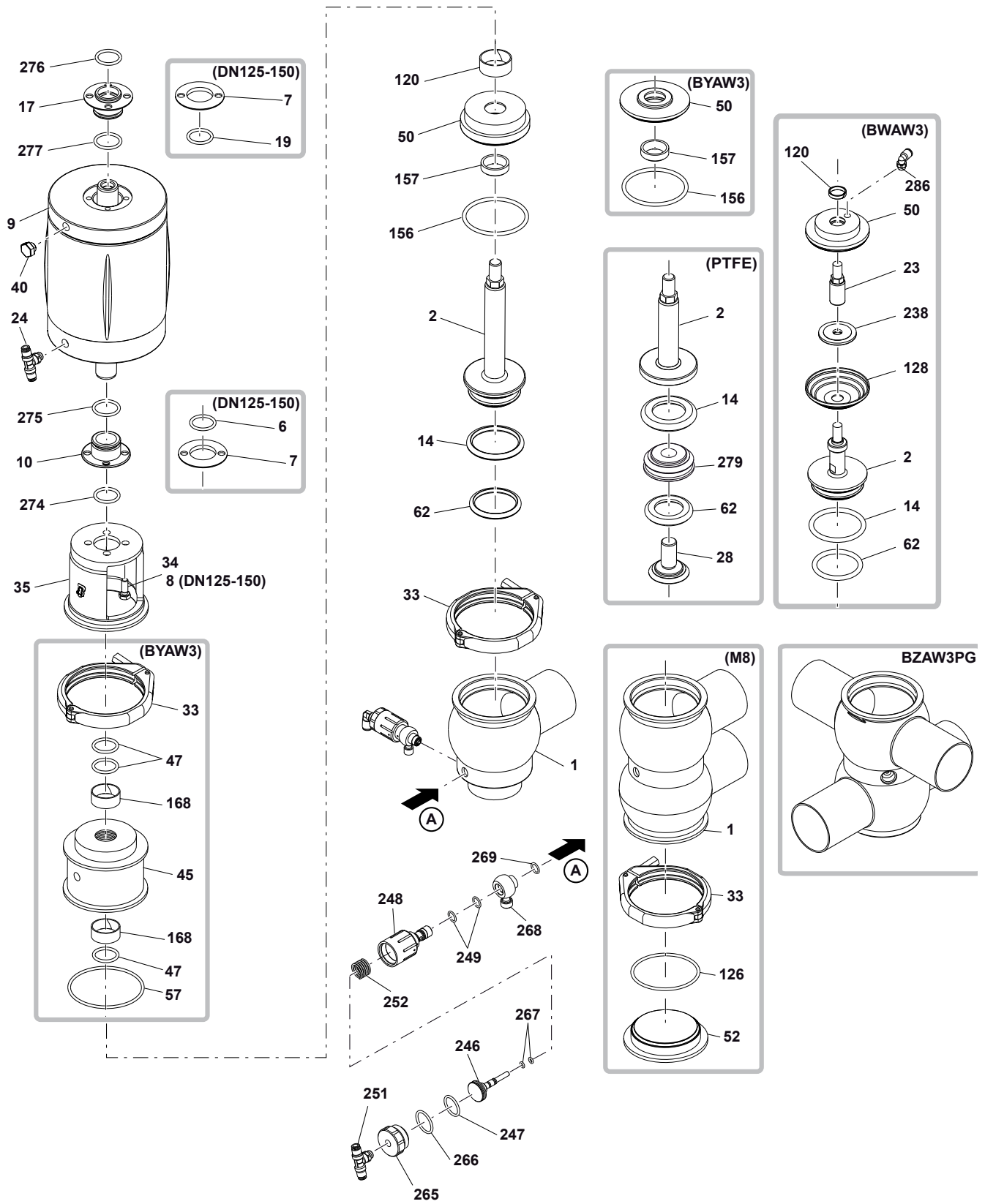
SCHEDULED MAINTENANCE	VALVE GASKETS	ACTUATOR GASKETS
Preventive	Replace after 12 months	Replace after 24 months
In the event of leaks	Replace at the end of the day	Replace in the event of leaks
Periodical	Check correct operation and that there are no leaks	Check correct operation and that there are no leaks
	Record the actions carried out	Record the actions carried out

10.3 Tools useful for Disassembly/Reassembly

TOOLS	DN25	DN32	DN40	DN50	DN65	DN80	DN100
				✓			
				4 - 6 - 8			
	10-12 -13		10-12-13-15-17			10-12-13-15	
				✓			
				✓			

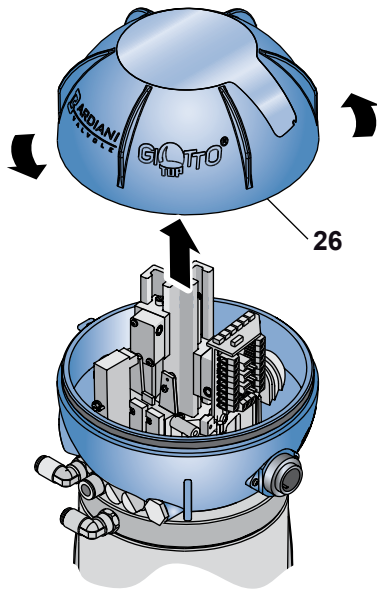
10.4 Mixproof Valve BZAW3

N°	DESCRIPTION	N°	DESCRIPTION
1	Lower body	275	Sealing ring
2	Shutter	276	Sealing ring
6	Sealing ring	277	Sealing ring
7	Washer	279	Plate
8	Screw	286	Spring
9	Cylinder		
10	Bush		
14	Sealing ring		
17	Bush		
19	Sealing ring		
23	Pin		
24	Air connector		
28	Shutter nut		
33	Clamp		
34	Screw		
35	Assembly		
40	Cap		
45	Steam Barrier		
47	Seal Ring		
50	Gasket holder disc		
57	Sealing ring		
62	Sealing ring		
120	Bush		
128	Diaphragm		
156	Sealing ring		
157	Sealing ring		
168	Guide Bushing		
238	Diaphragm nut		
246	Piston		
247	Sealing ring		
248	Cylinder		
249	Sealing ring		
251	Air connector		
252	Spring		
265	Cap		
266	Sealing ring		
267	Sealing ring		
268	Body		
269	Sealing ring		
274	Sealing ring		

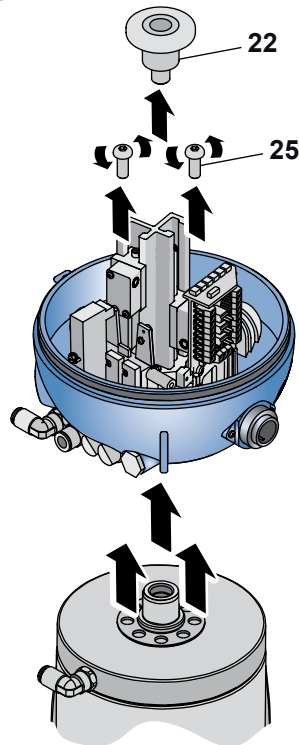


10.5 Disassembly of the BZAW3 - BWA3

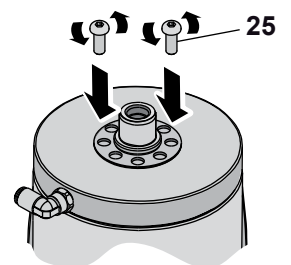
1



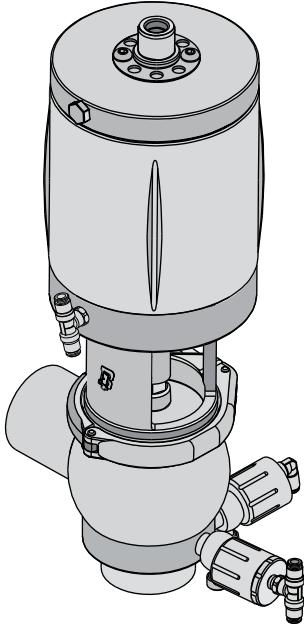
2



3

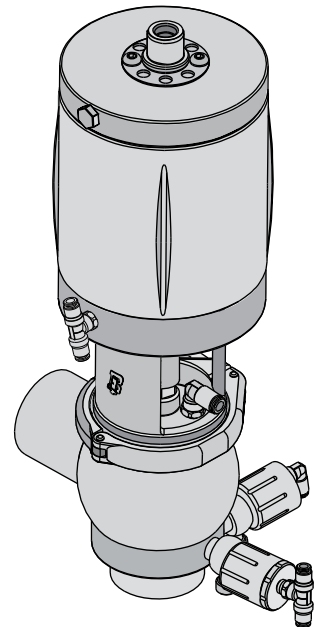


A



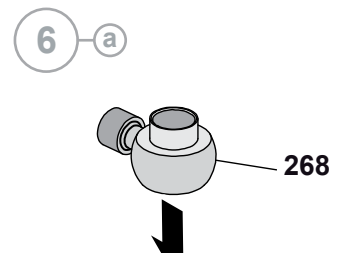
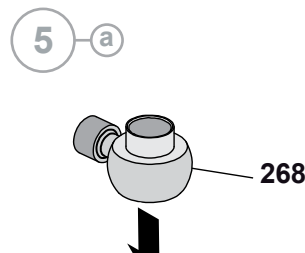
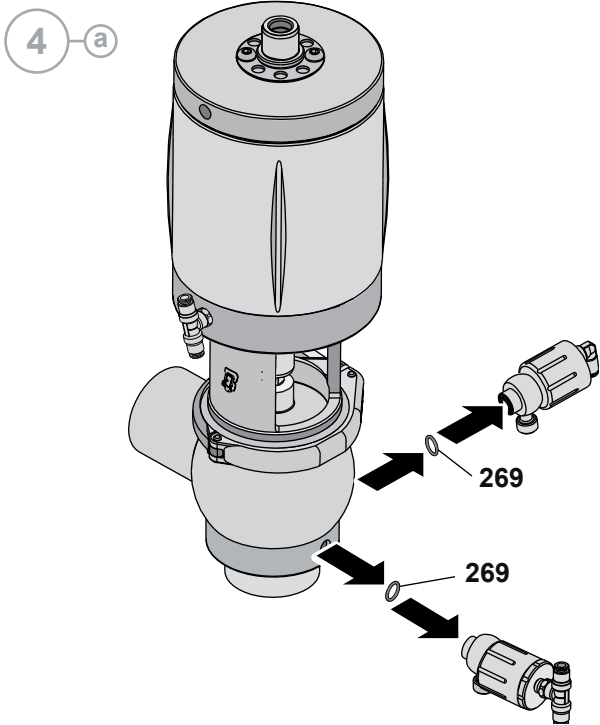
[A S BZAW3]

B

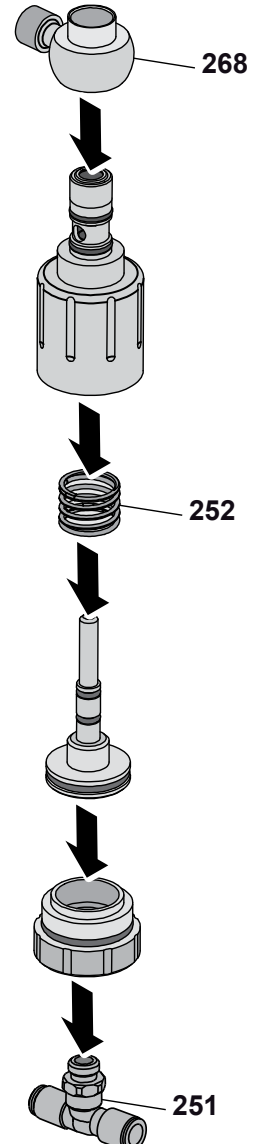
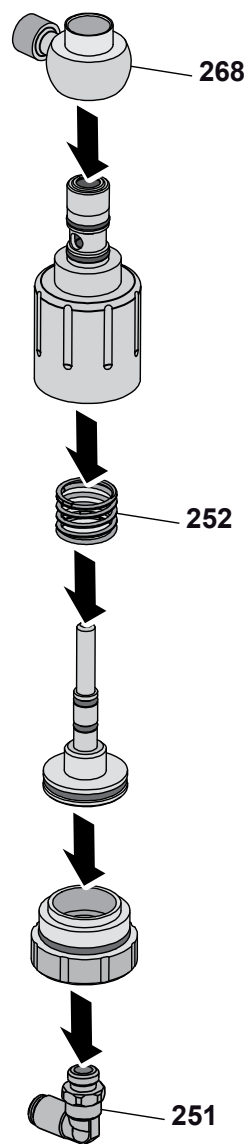
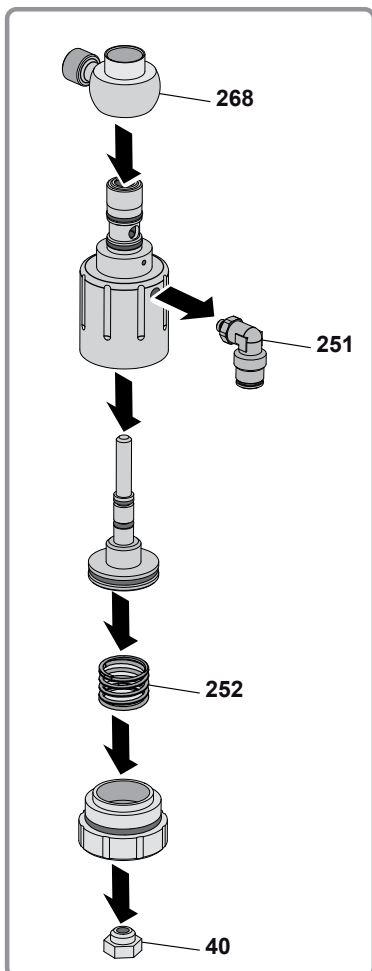


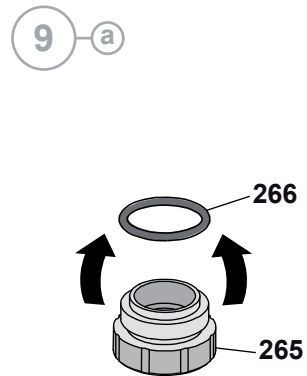
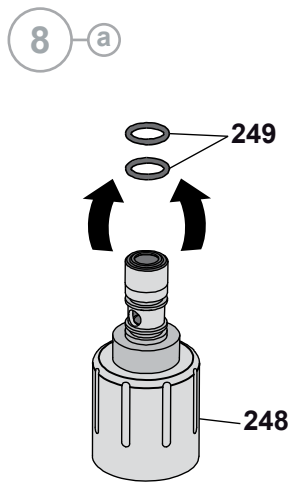
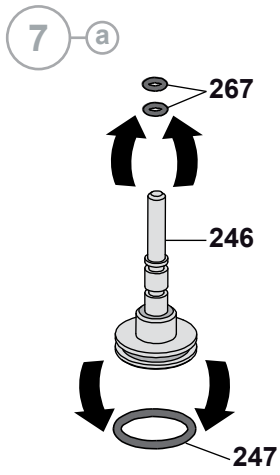
[B S BZAW3]

A Disassembly of the BZAW3



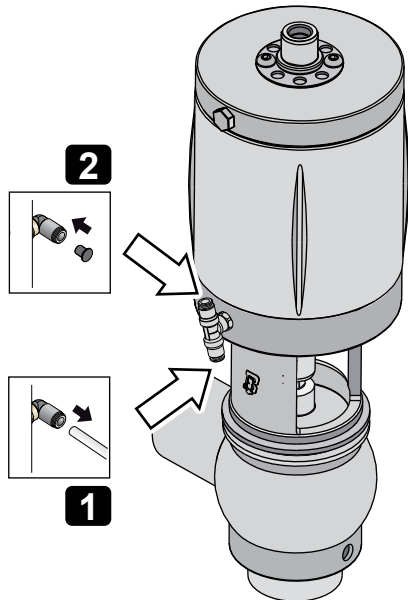
Normally closed



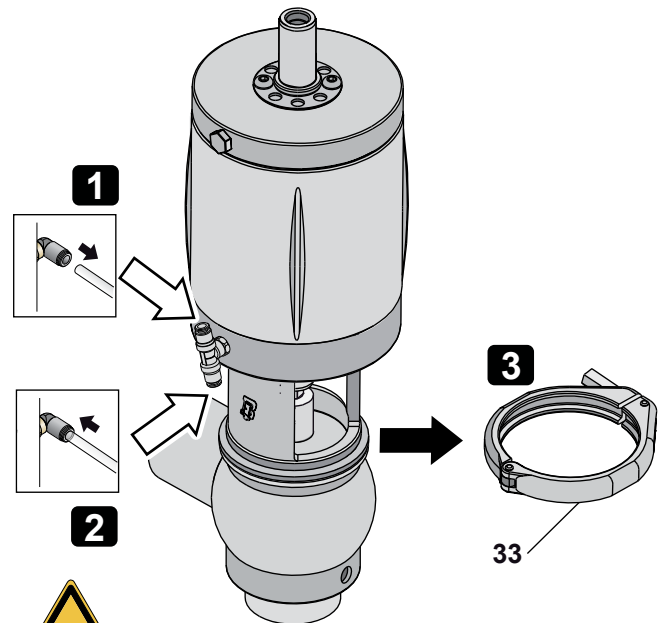


Normally closed

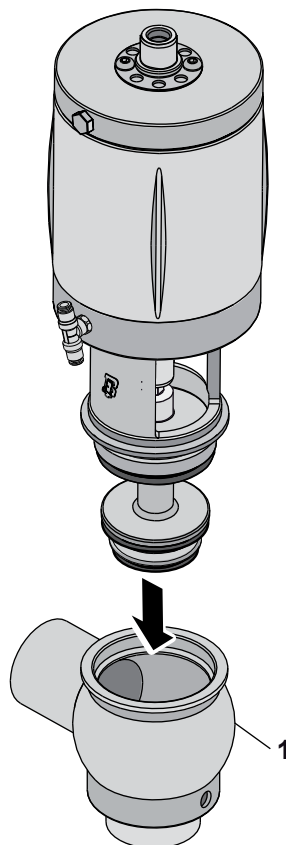
10 a1



11 a1

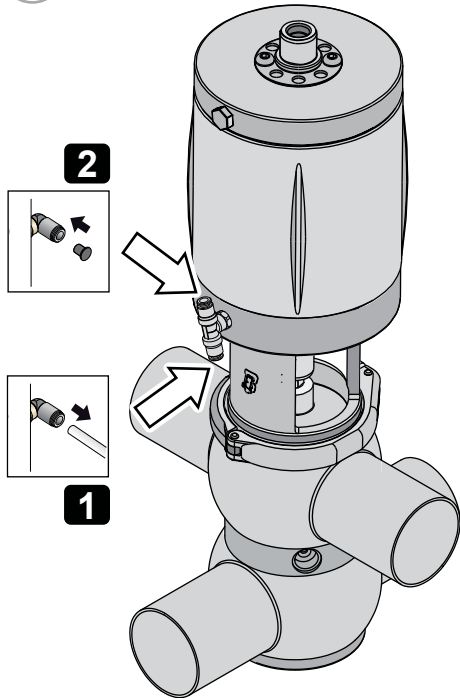


12 a1

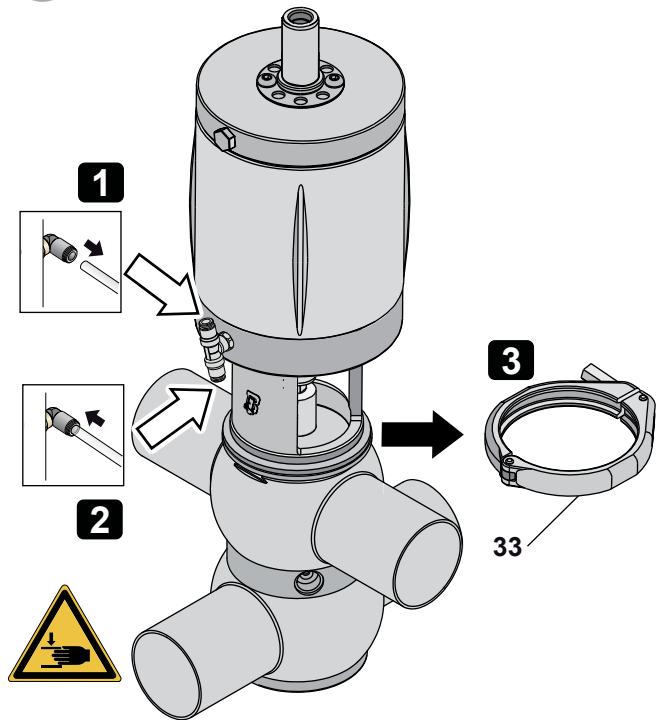


BZAW3PG

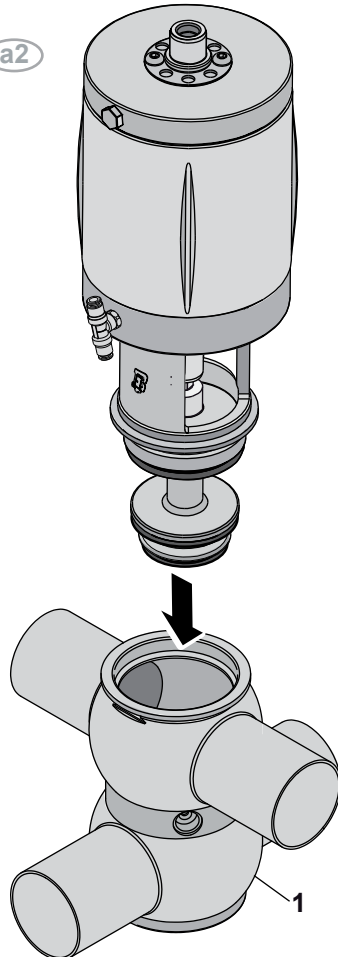
10 a2



11 a2

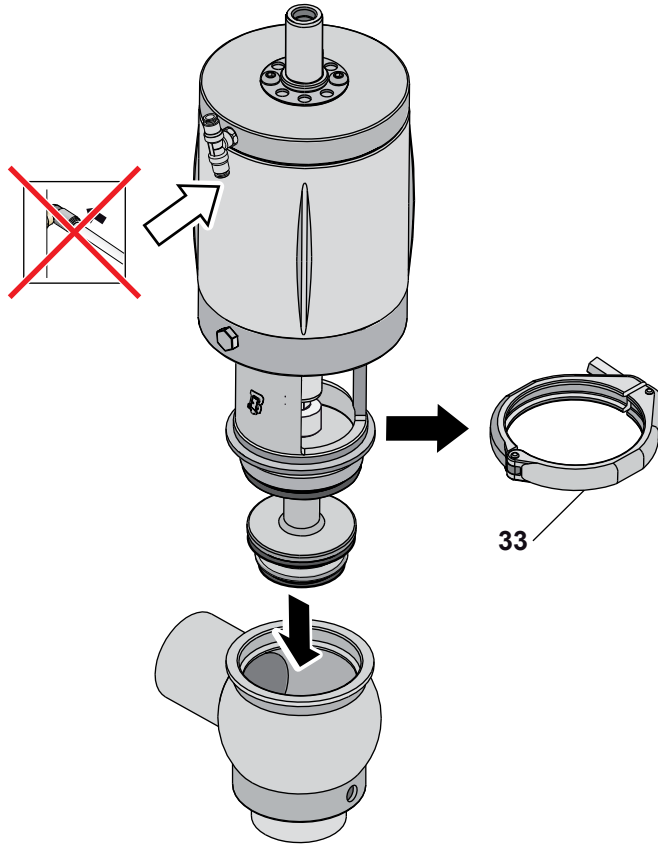


12 a2



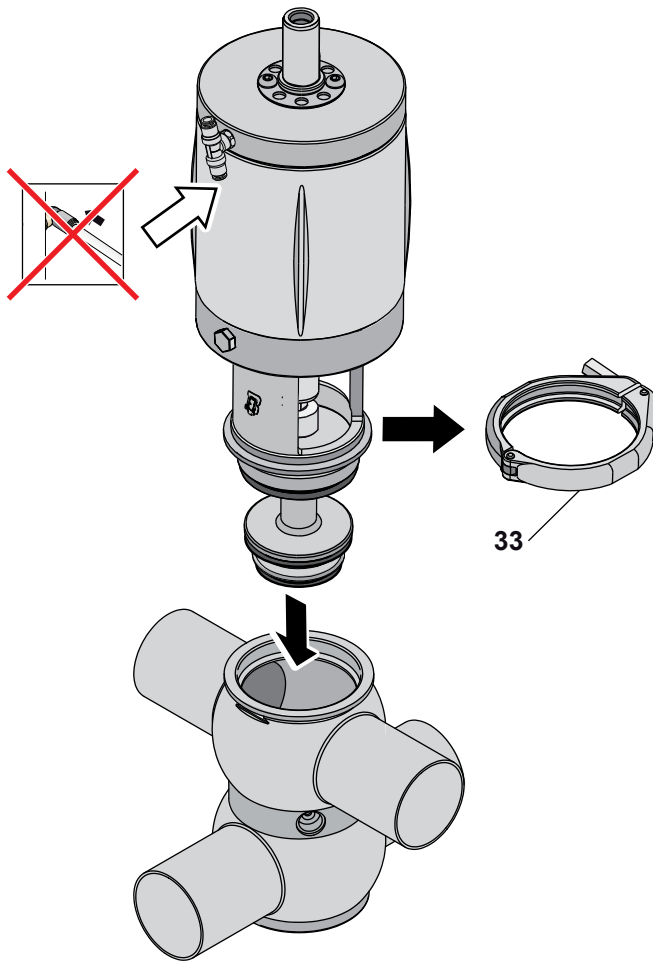
(Normally open or double acting)

10 a3

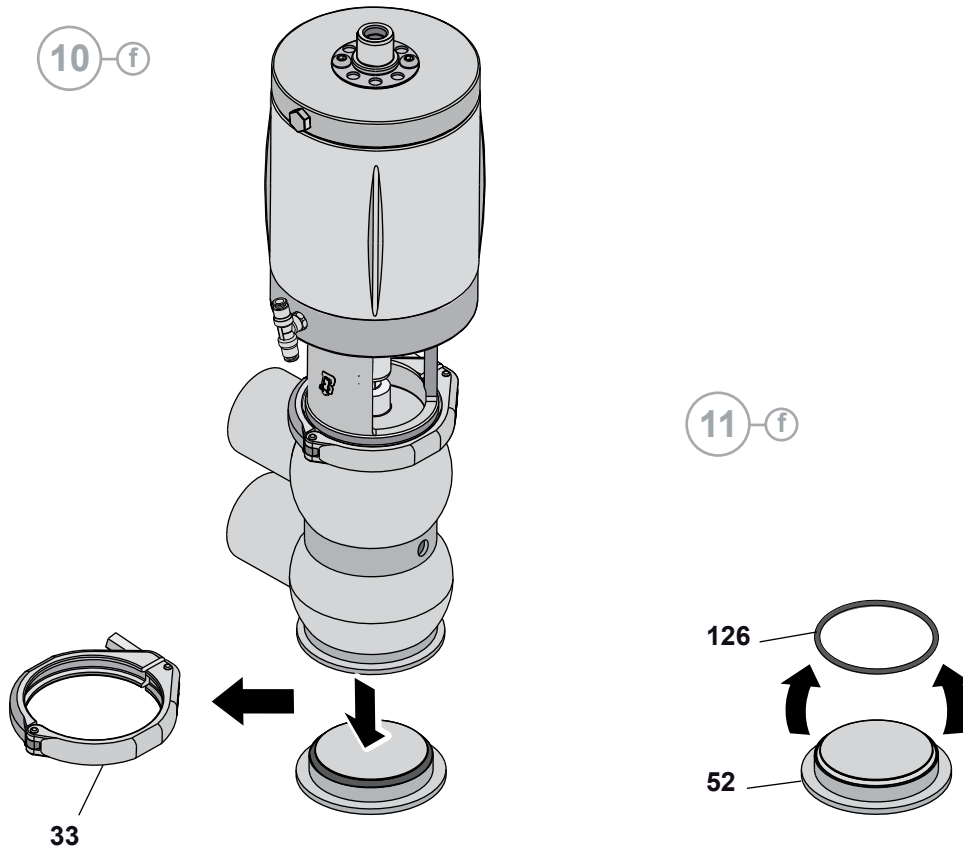


(Normally open or double acting)

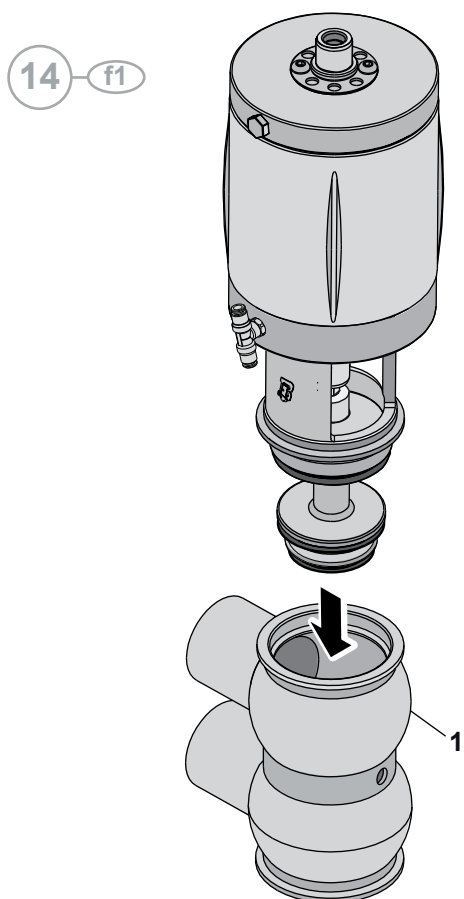
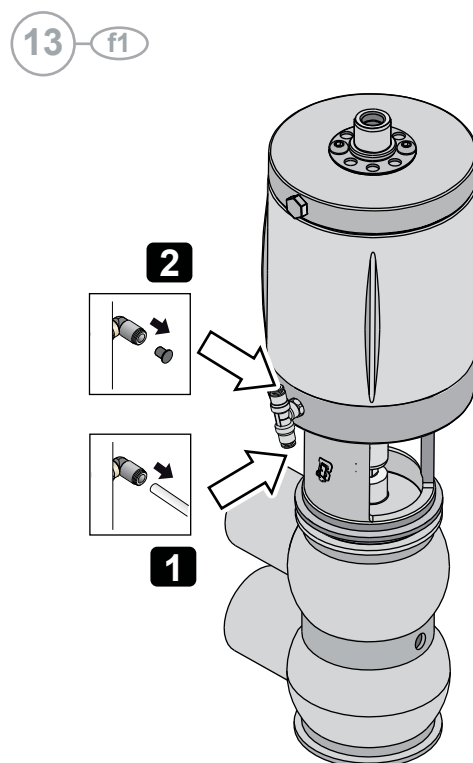
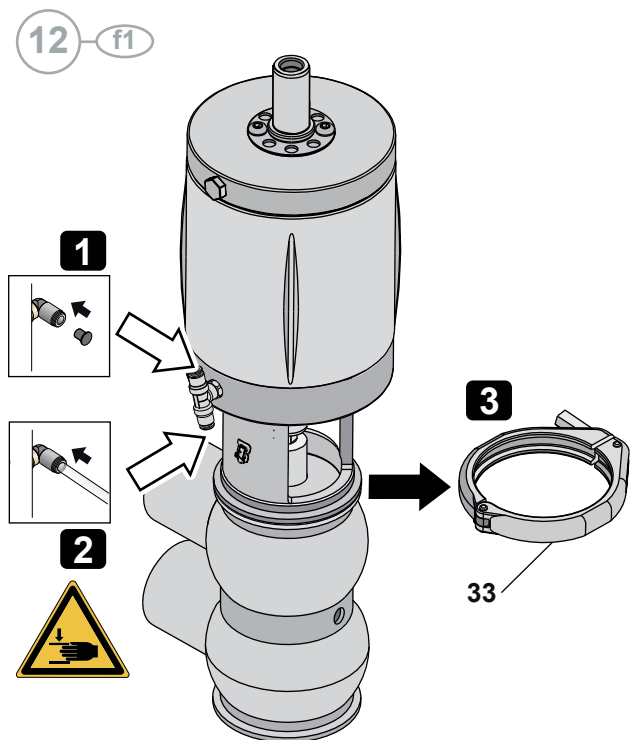
10 a4



(M8)

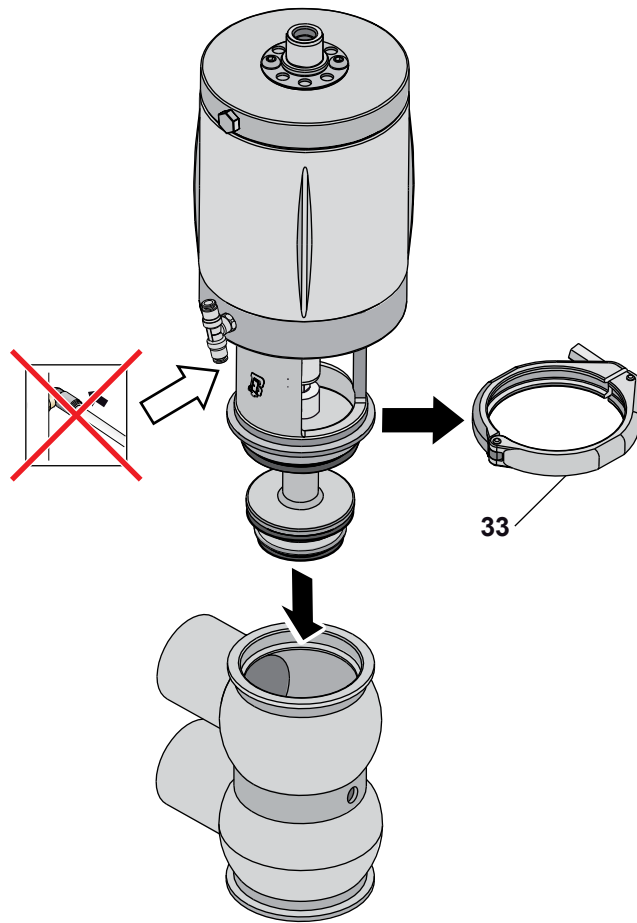


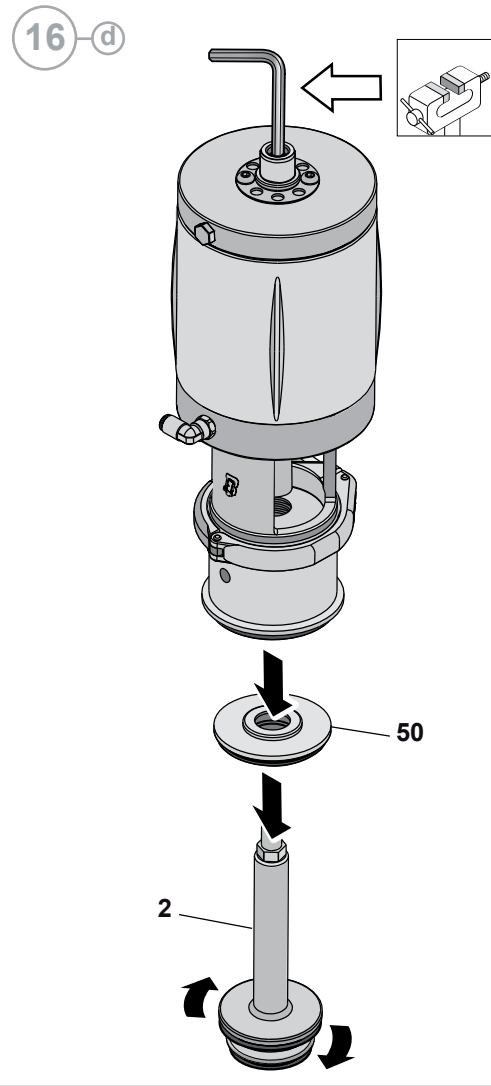
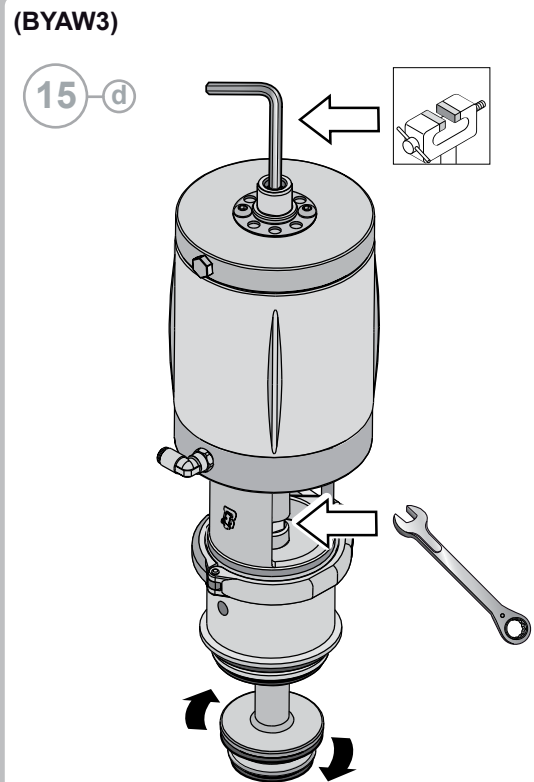
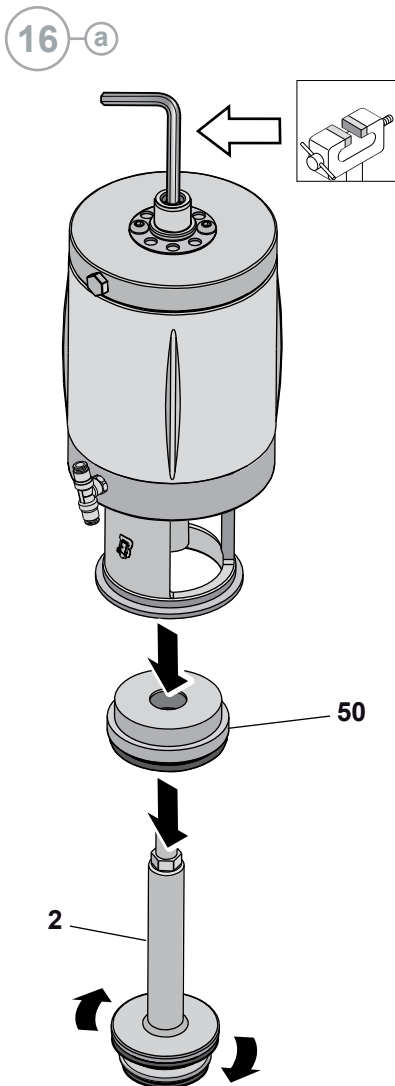
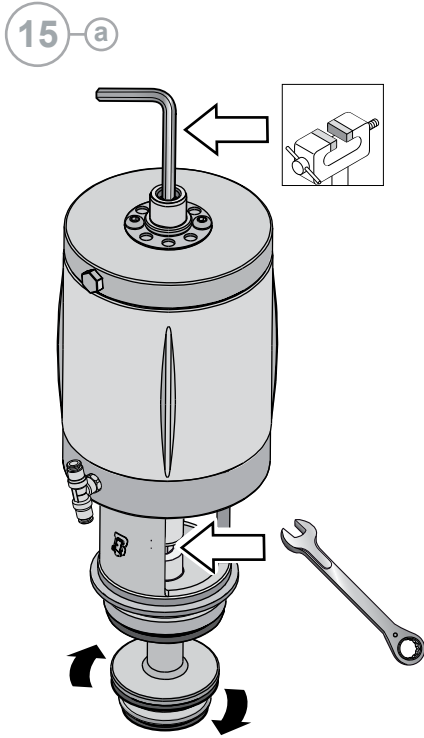
Normally closed

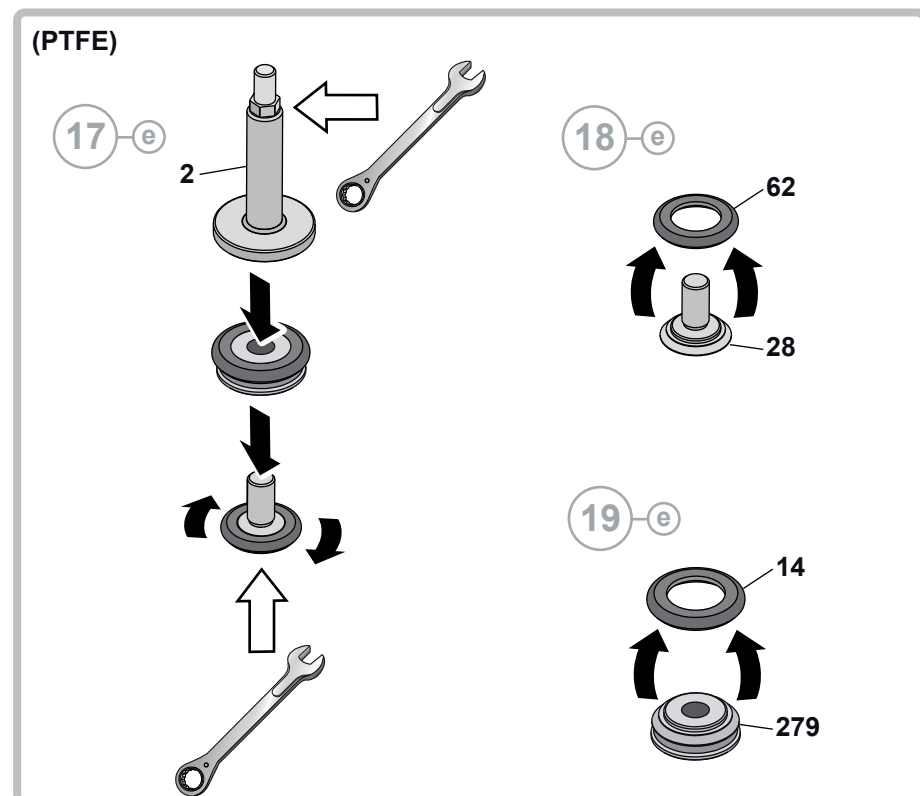
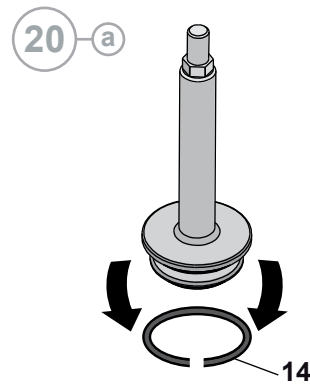
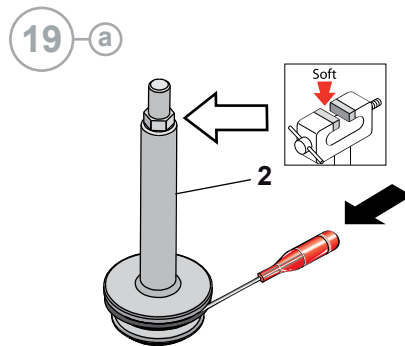
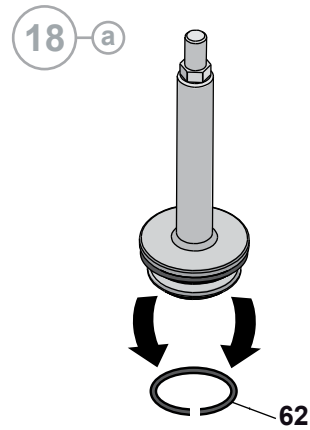
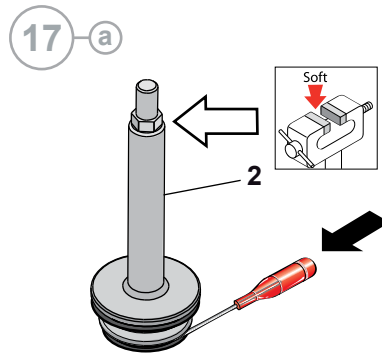


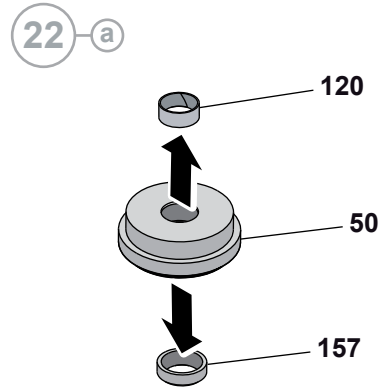
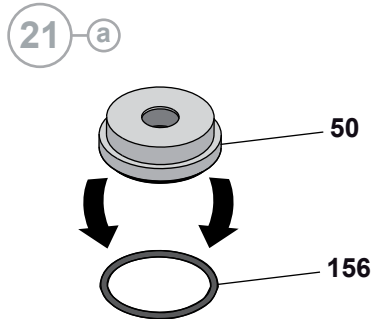
(Normally open or double acting)

12 f2

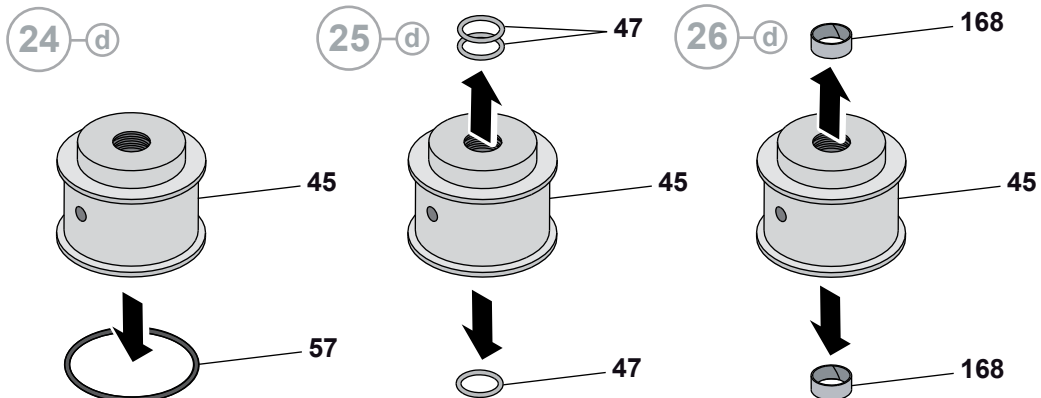
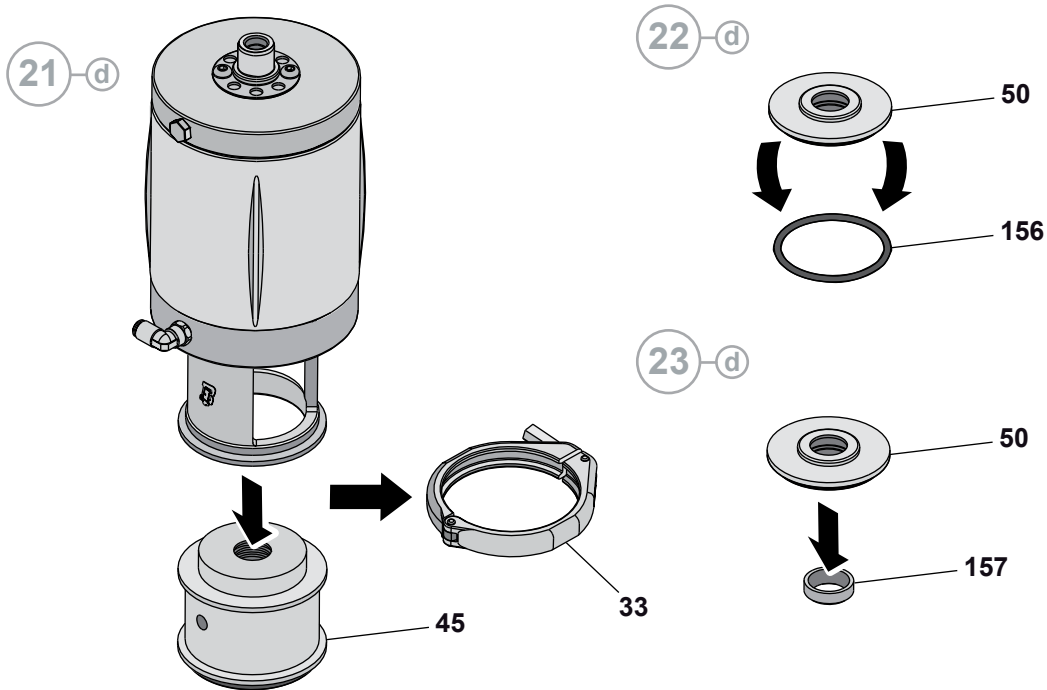




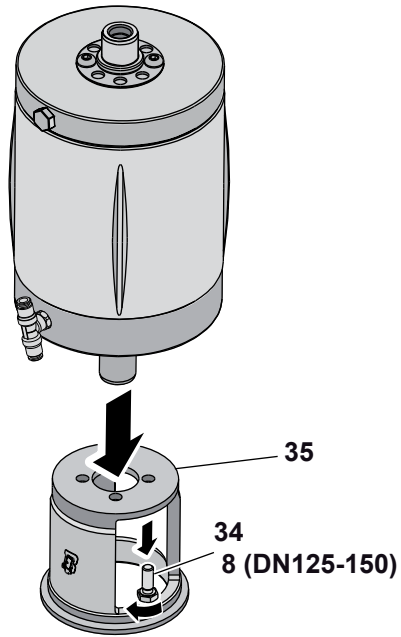




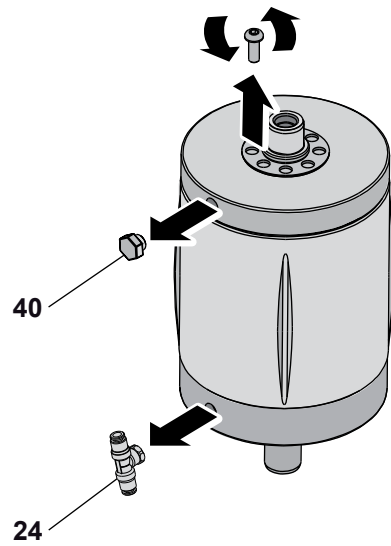
(BYAW3)



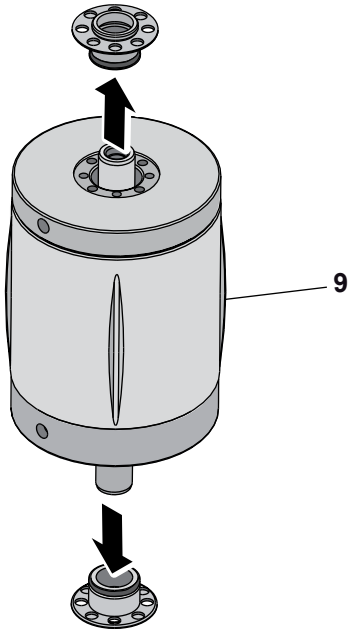
27 a



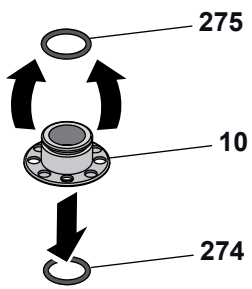
28 a



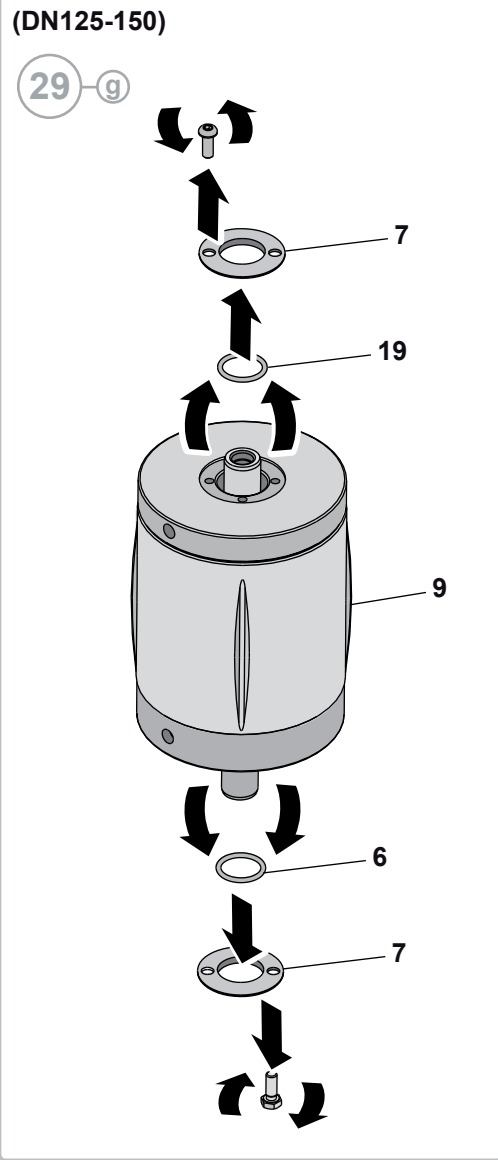
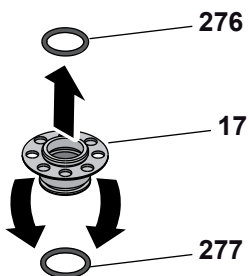
29-a



30-a

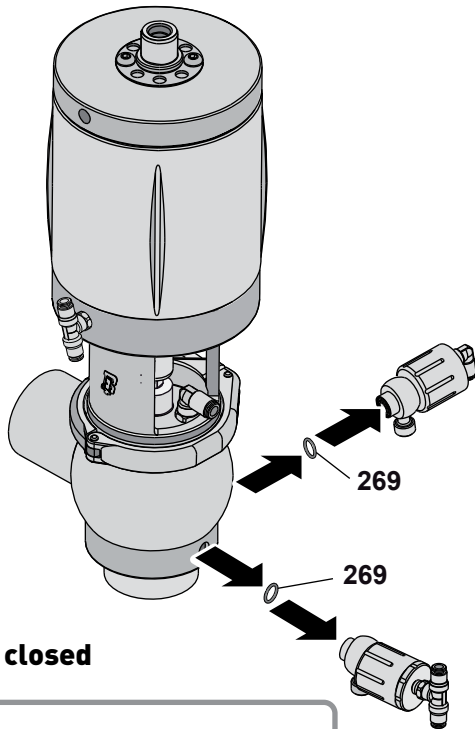


31-a

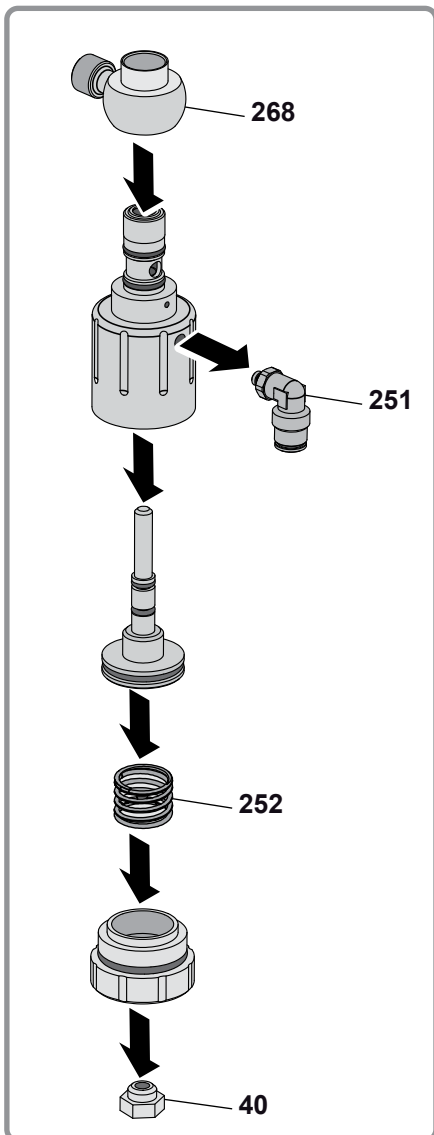


B Disassembly of the BAW3

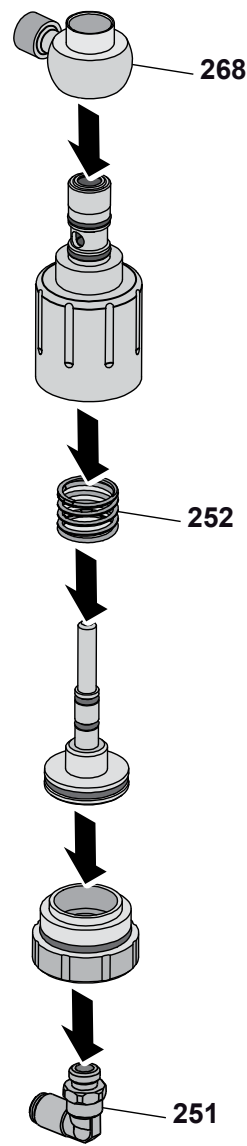
1 b



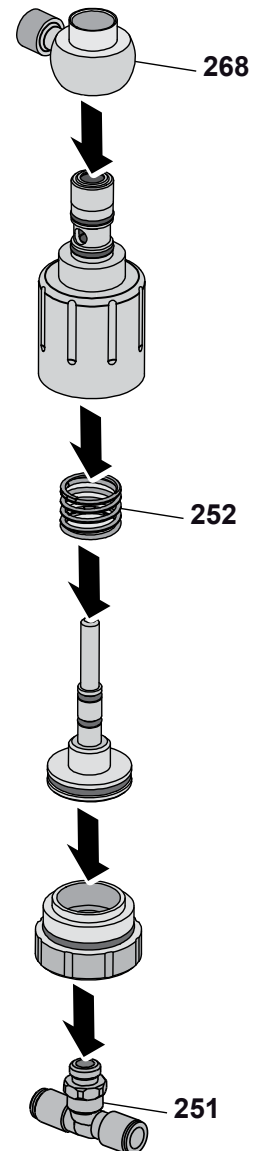
Normally closed

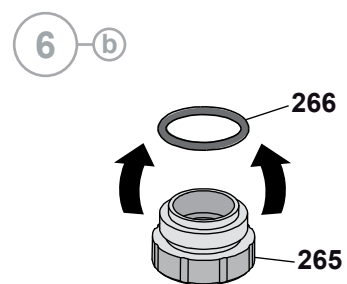
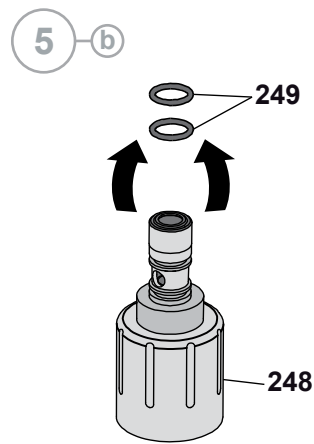
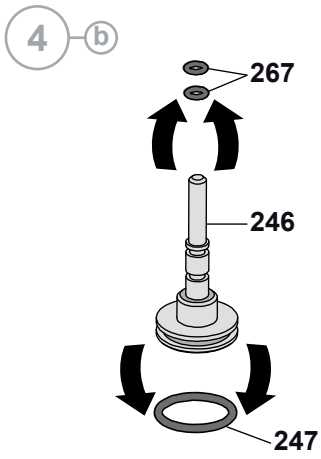


2 b

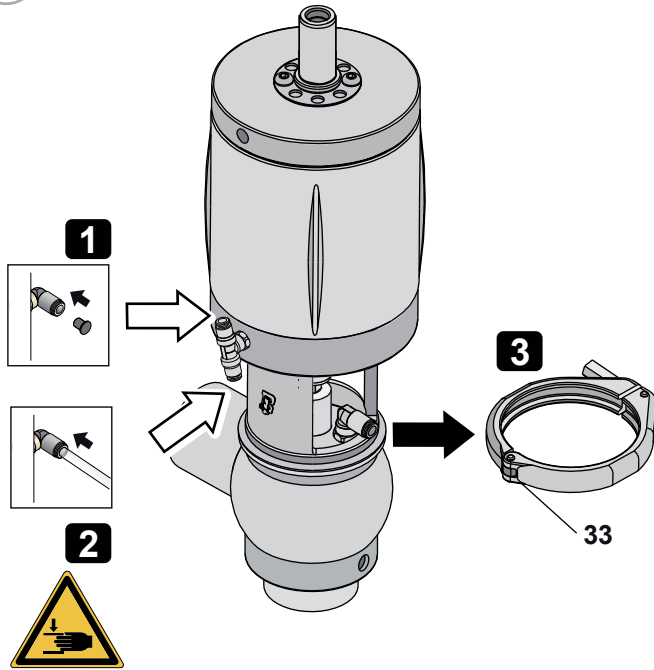


3 b

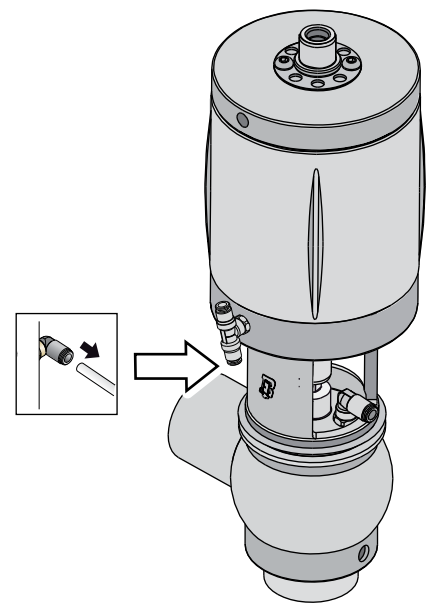




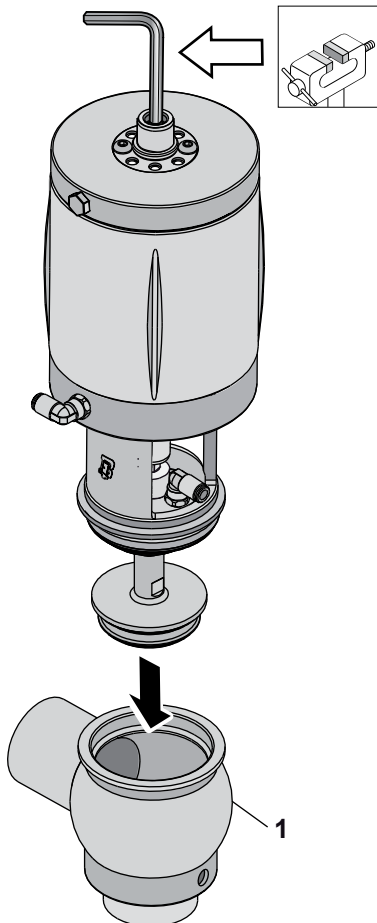
7 b



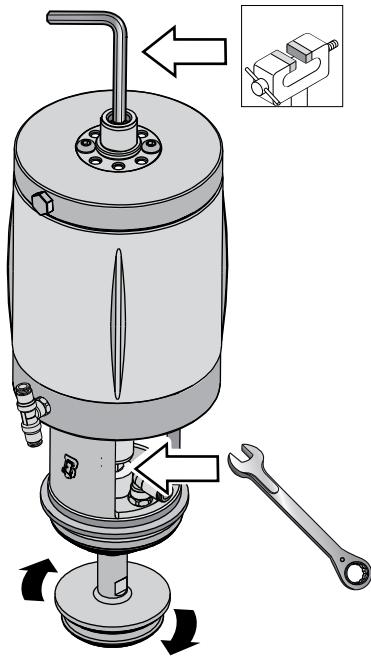
8 b



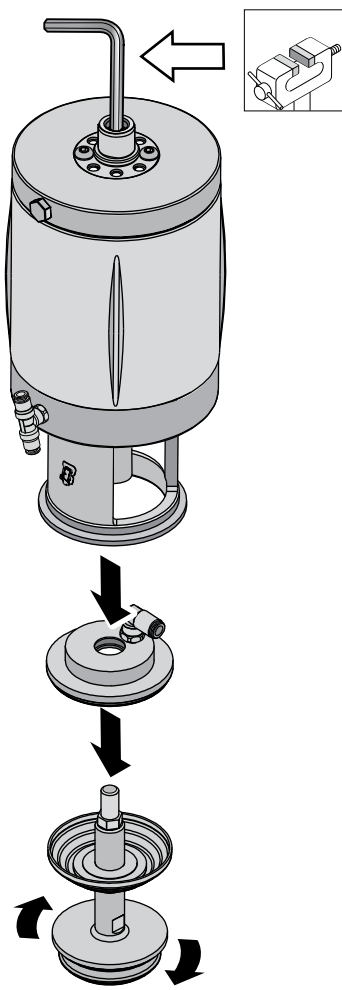
9 b



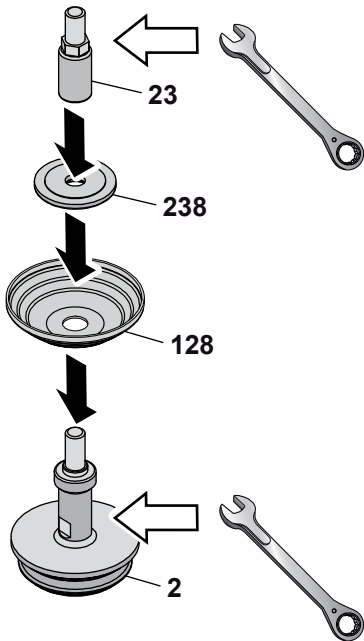
10-b



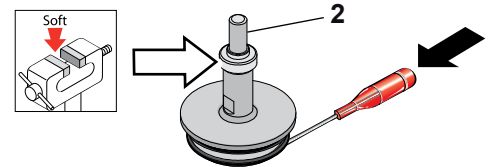
11-b



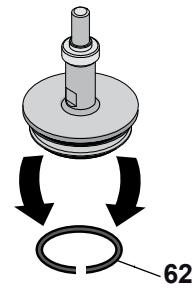
12-b



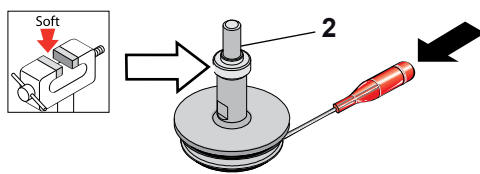
13-b



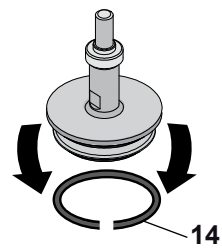
14-b



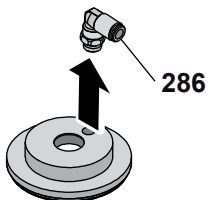
15-b



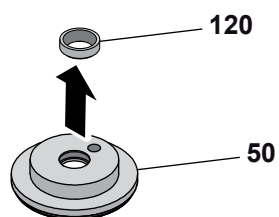
16-b



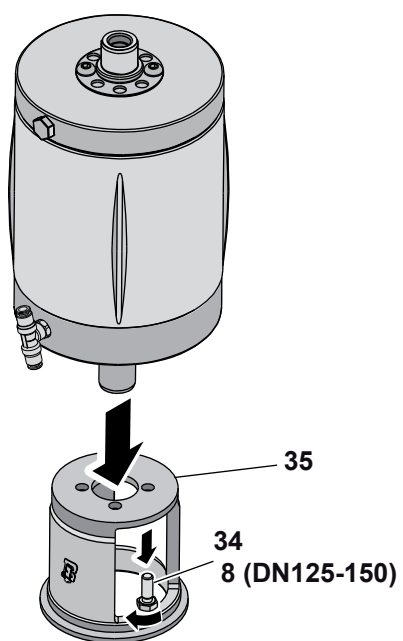
17-b



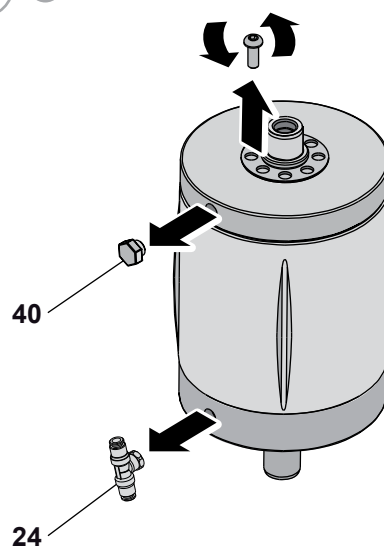
18-b



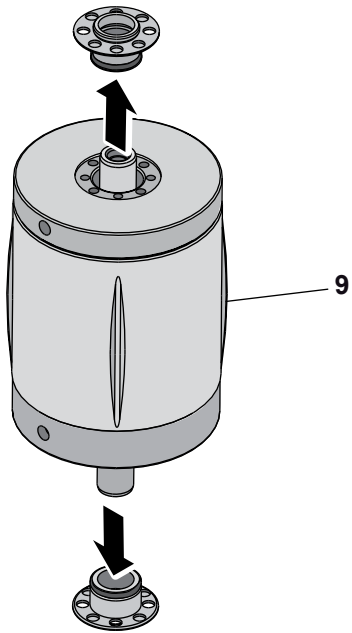
19-b



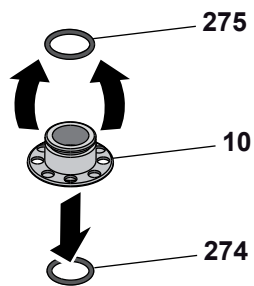
20-b



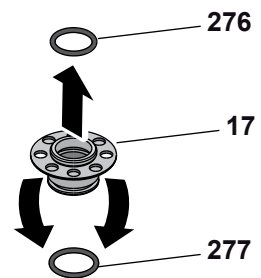
21-b



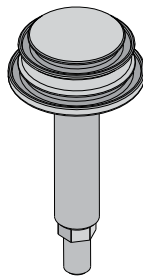
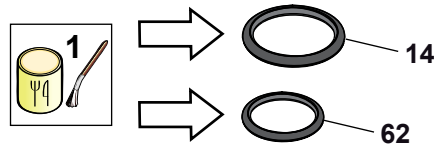
22-b



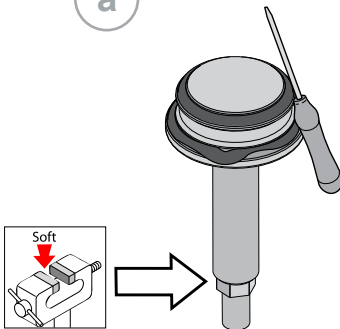
23-b



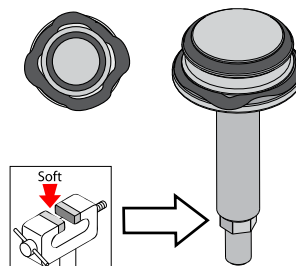
10.6 Assembly of the BZAW3



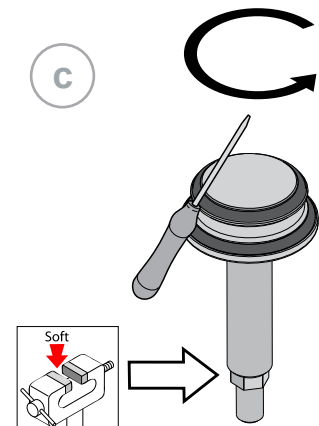
a

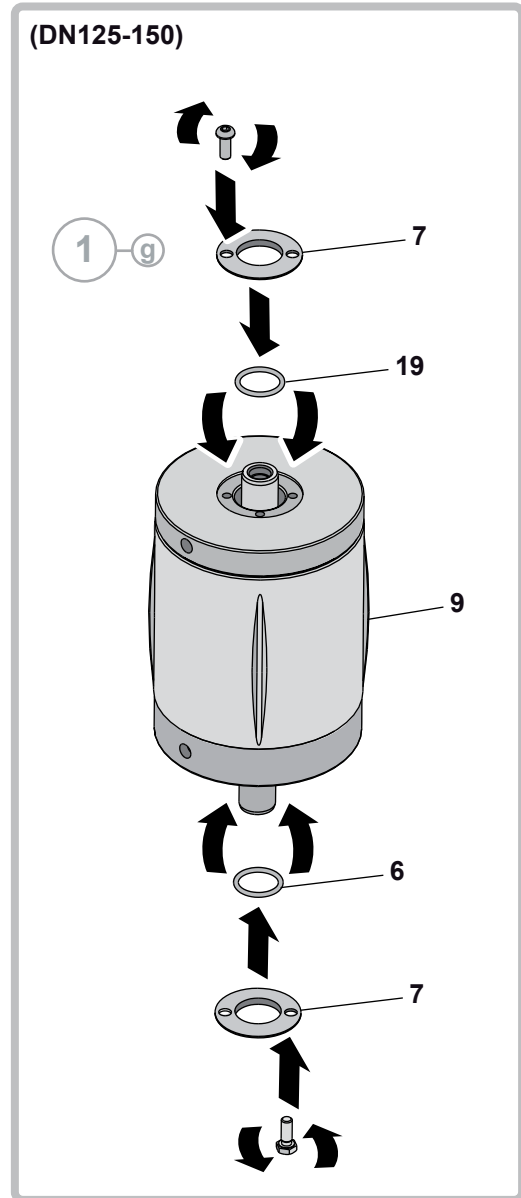
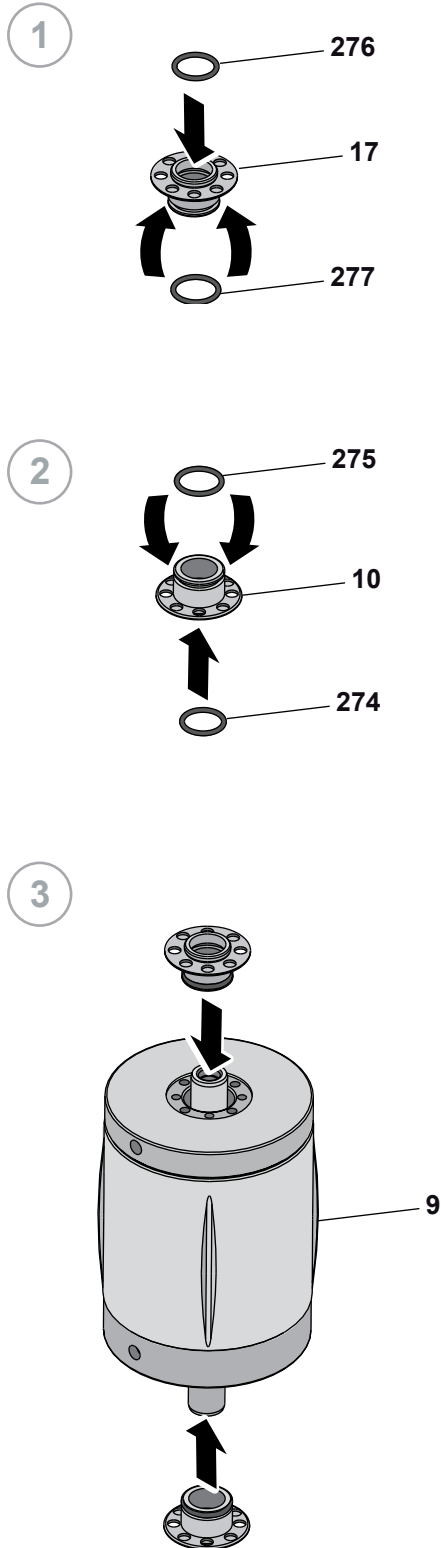


b

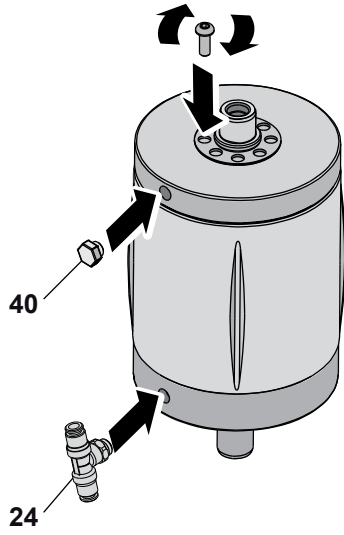


c

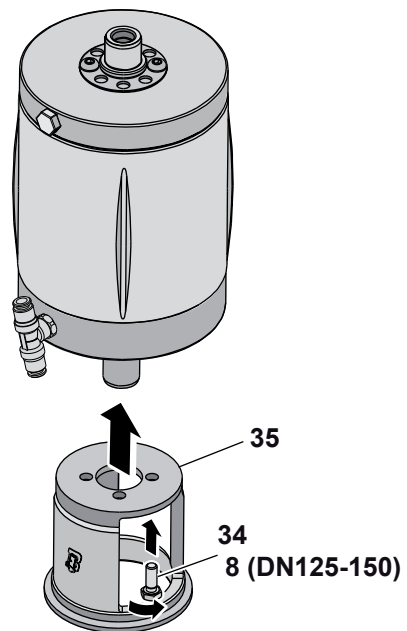




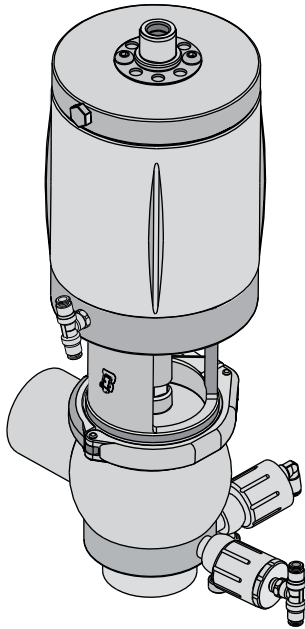
4



5

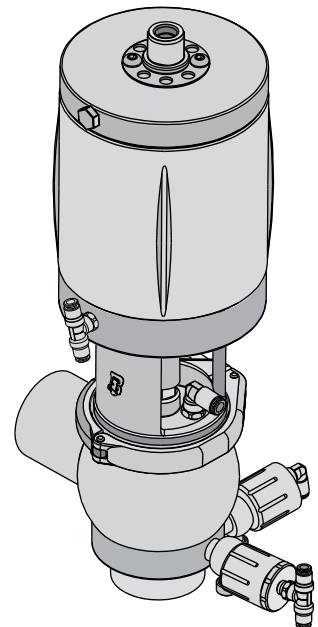


A



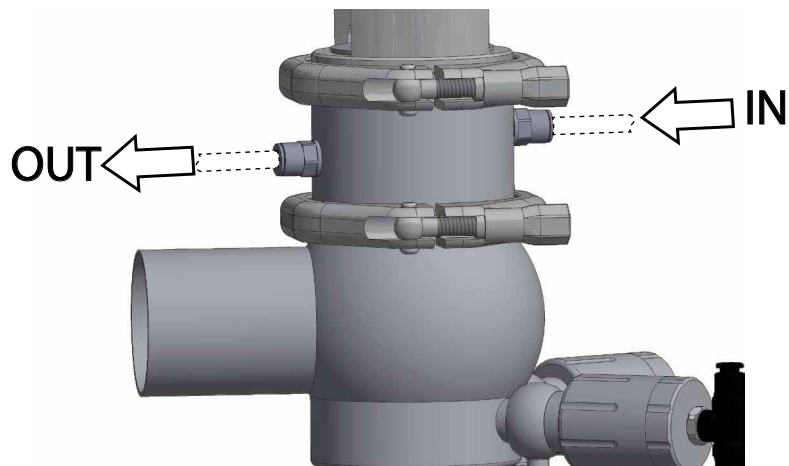
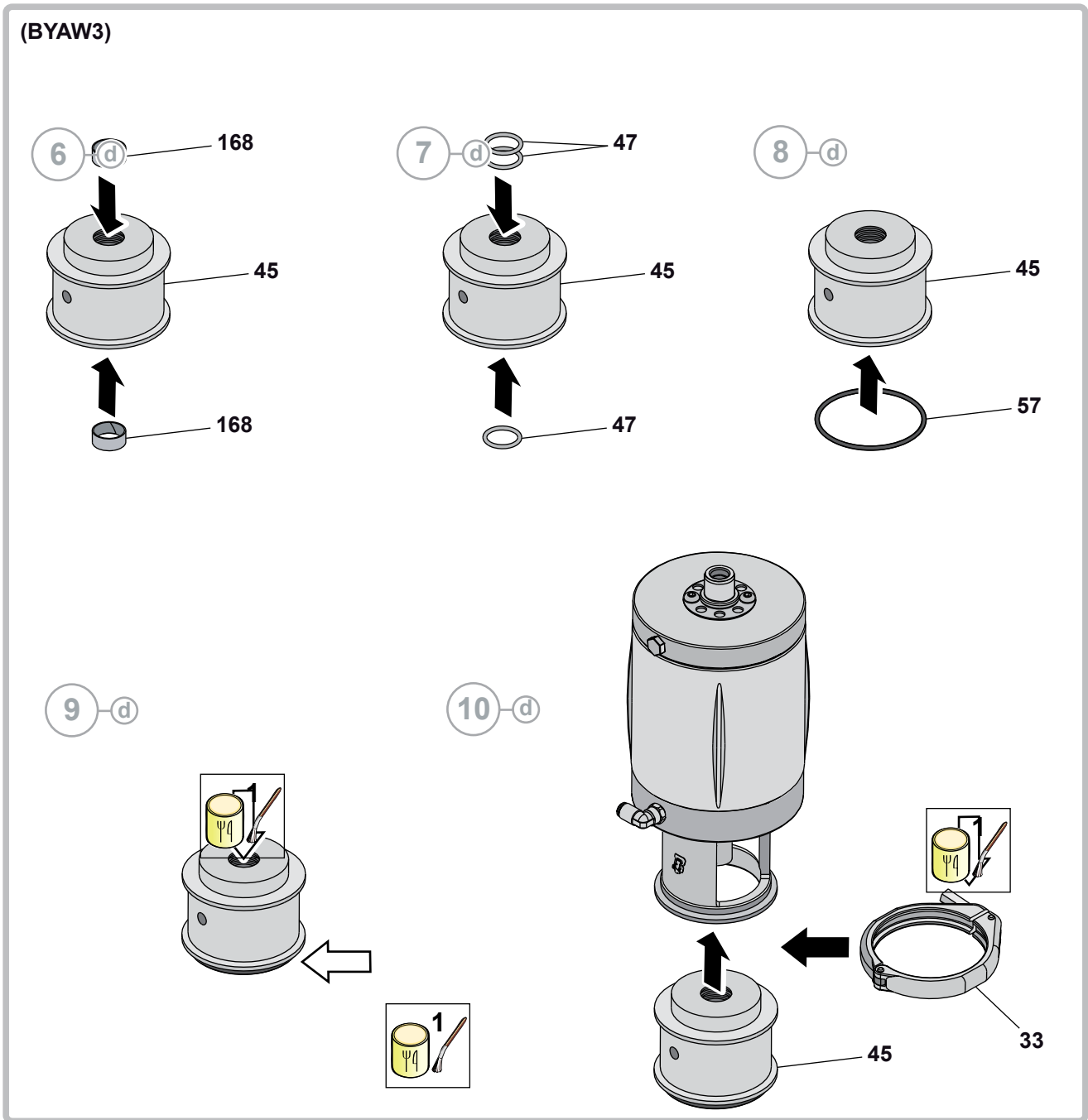
[A M BZAW3]

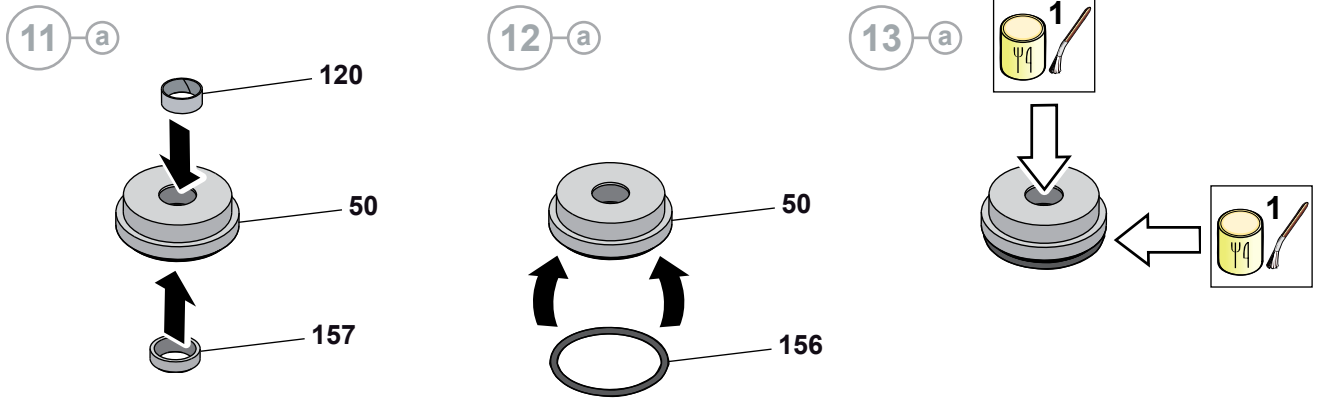
B



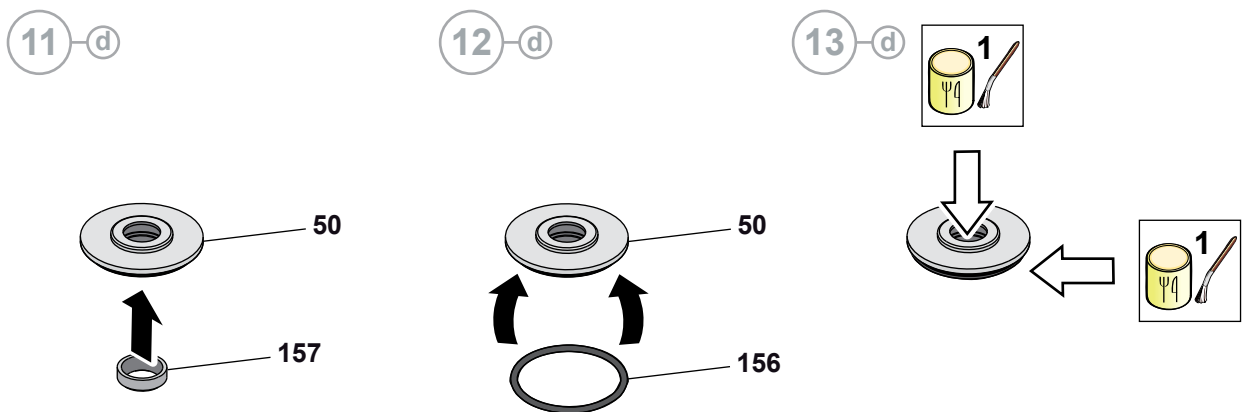
[B M BWA3]

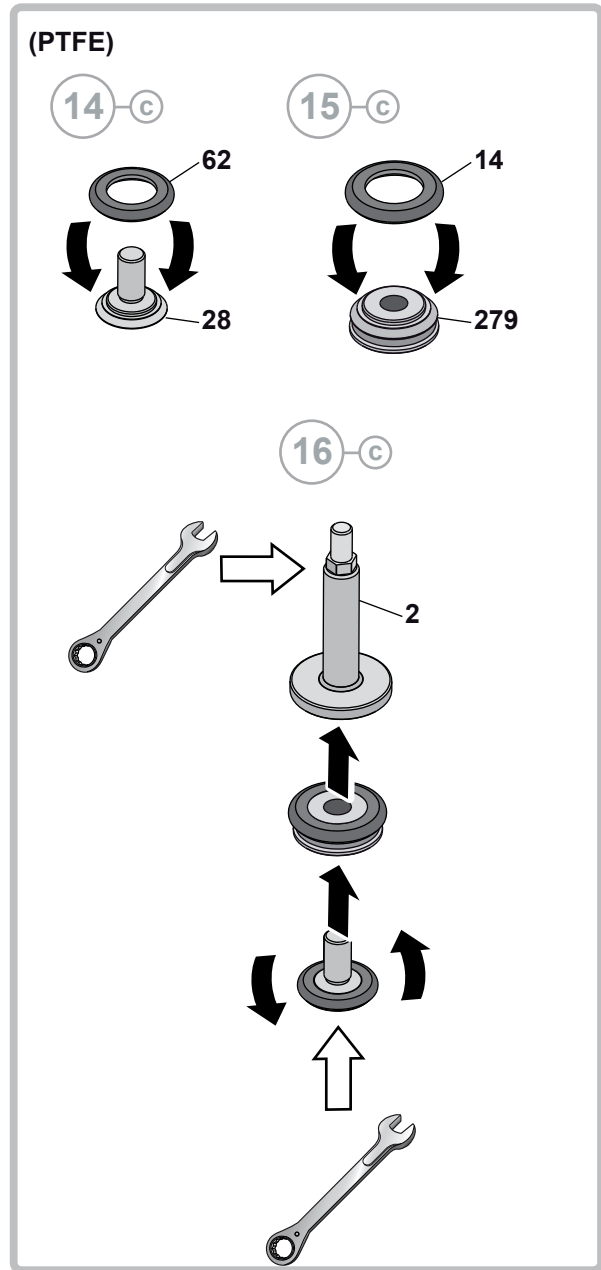
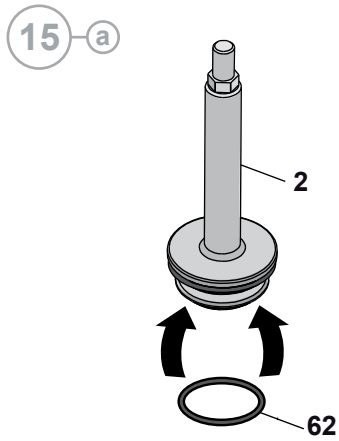
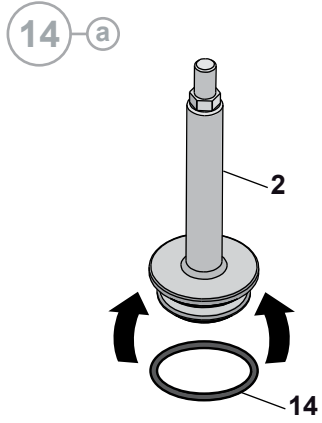
A Assembly of the BZAW3

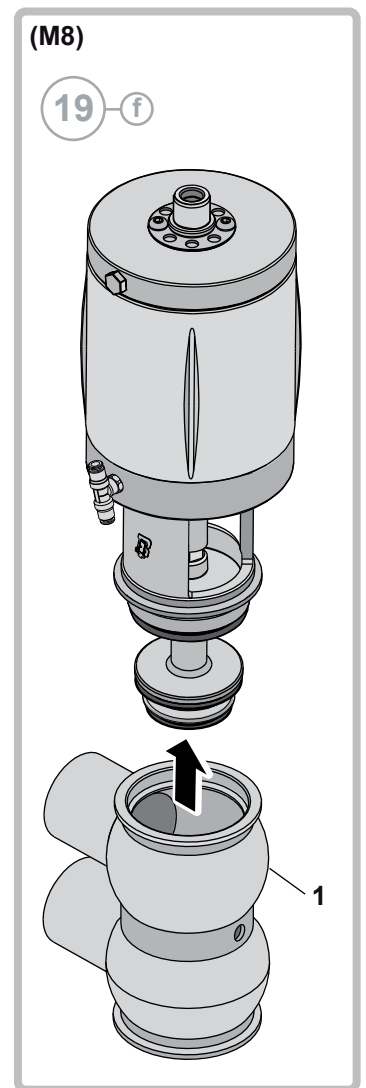
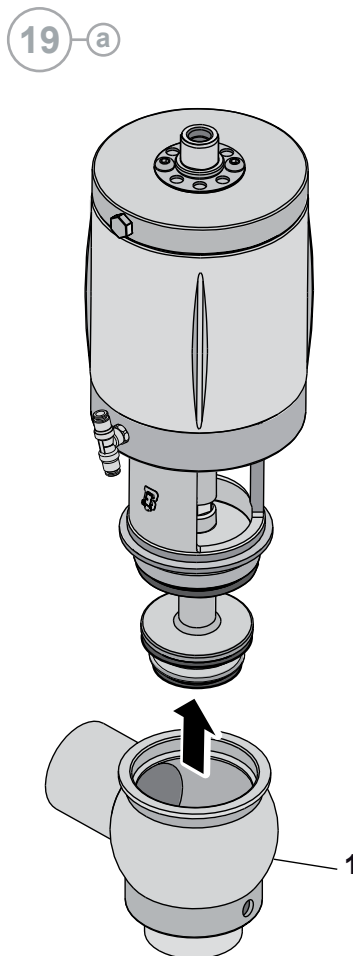
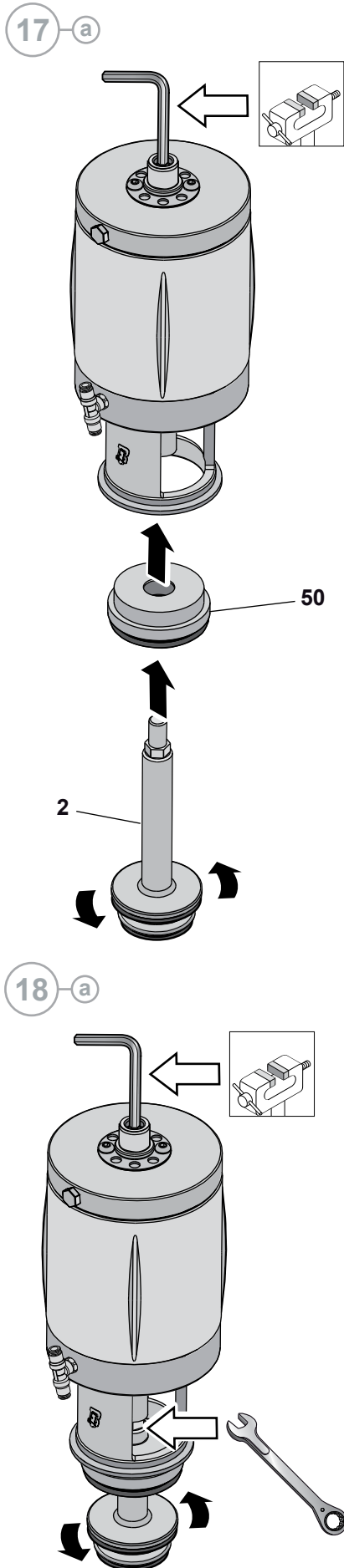


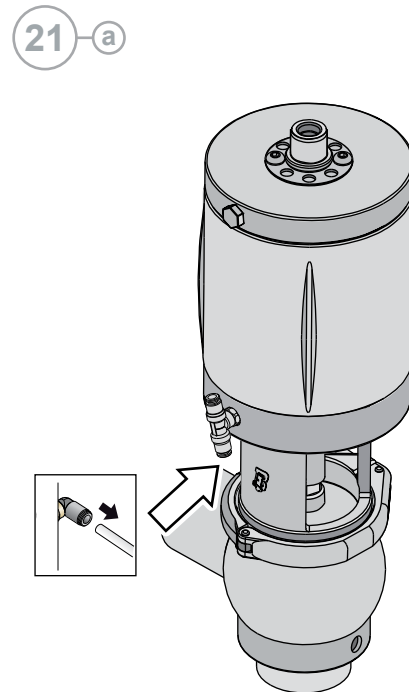
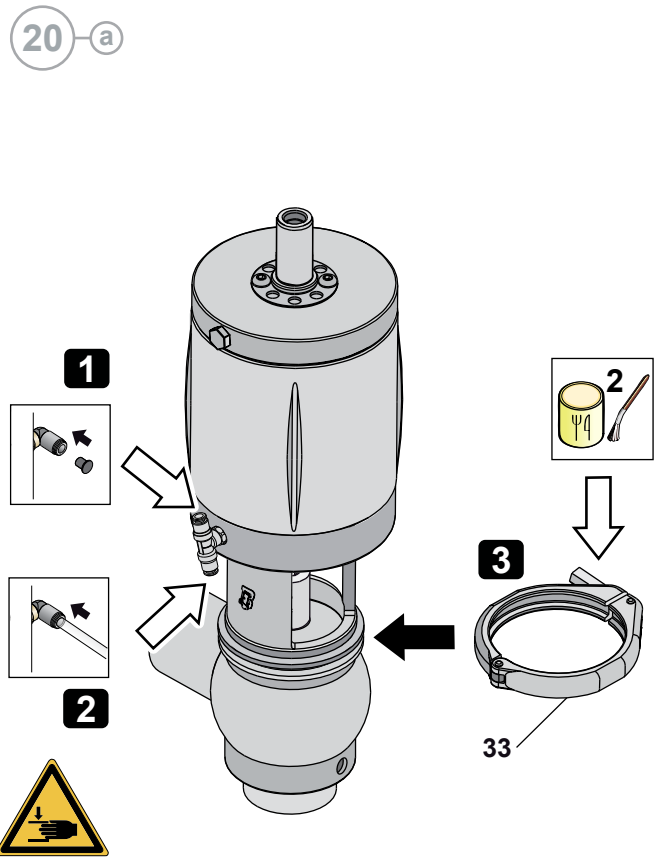
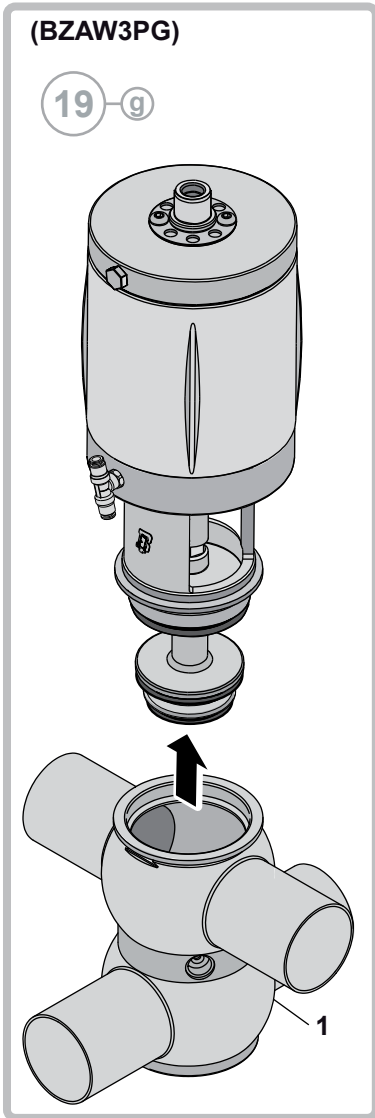


(BYAW3)



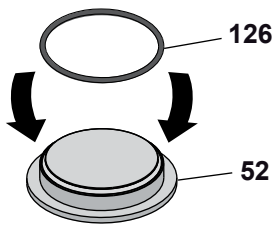




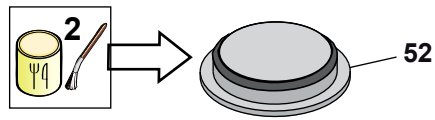


(M8)

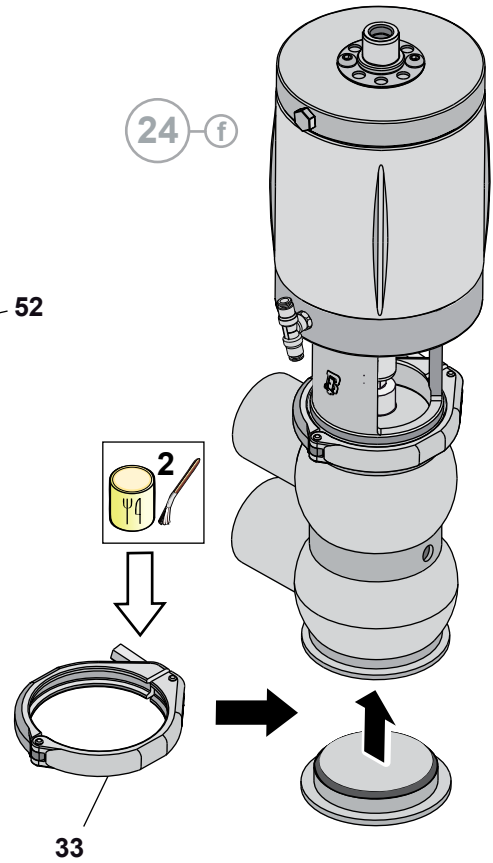
22-f



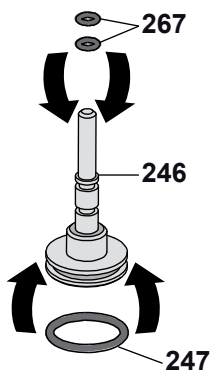
23-f



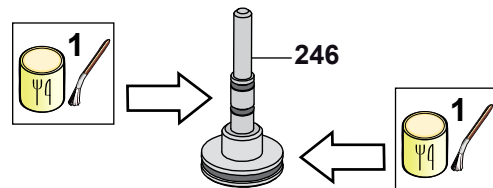
24-f



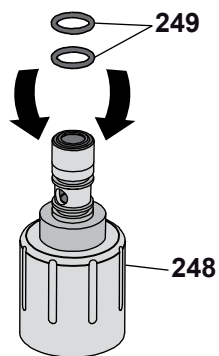
25-a



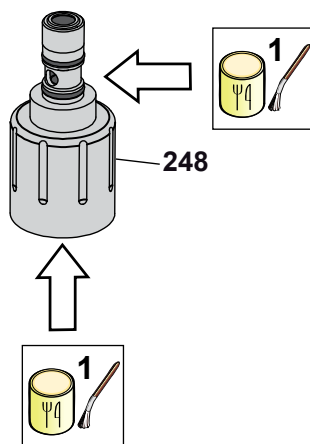
26-a



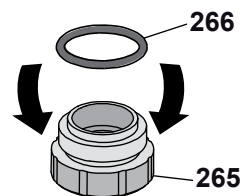
27-a



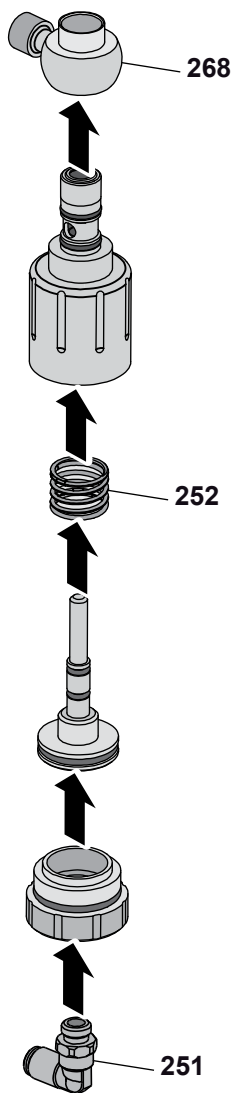
28-a



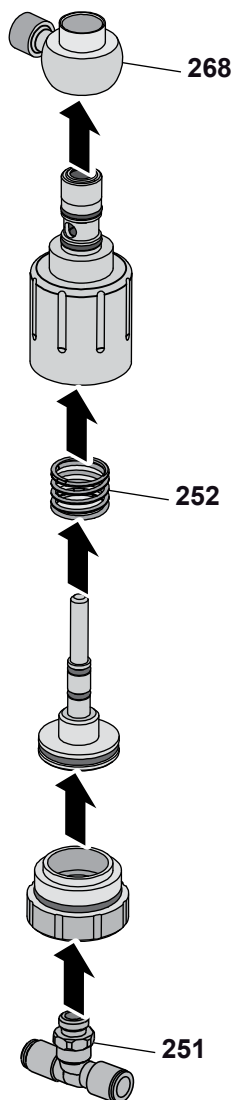
29-a



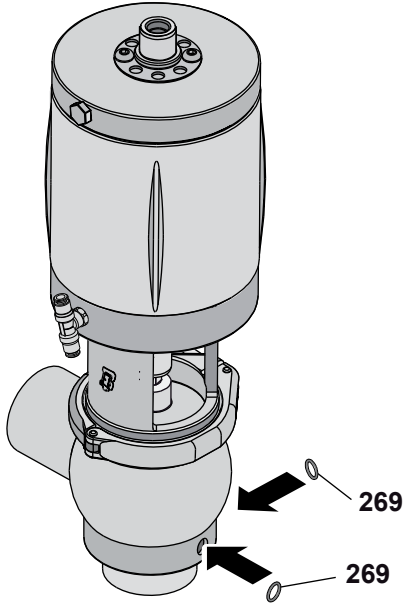
30-a



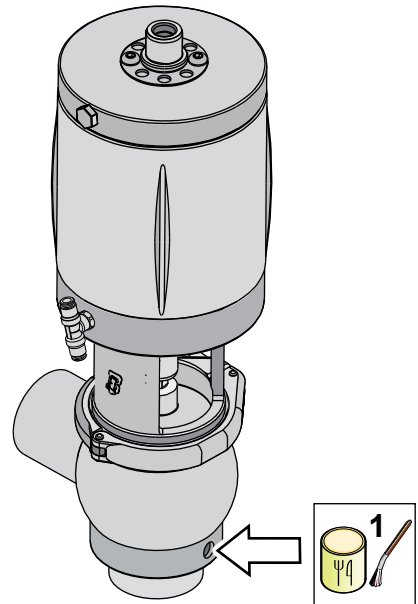
31-a



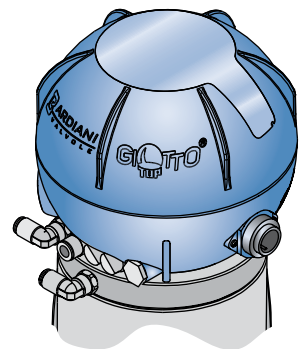
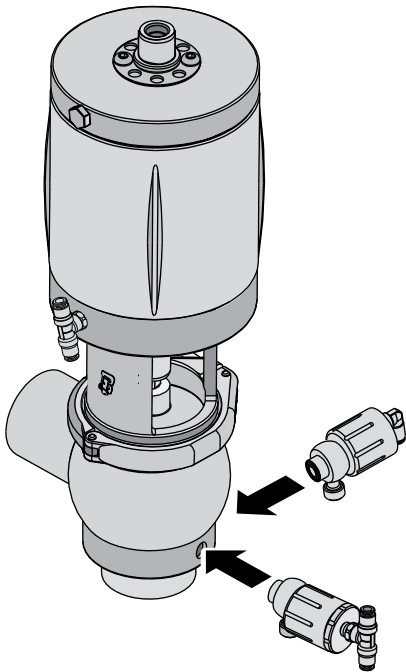
32 a



33 a

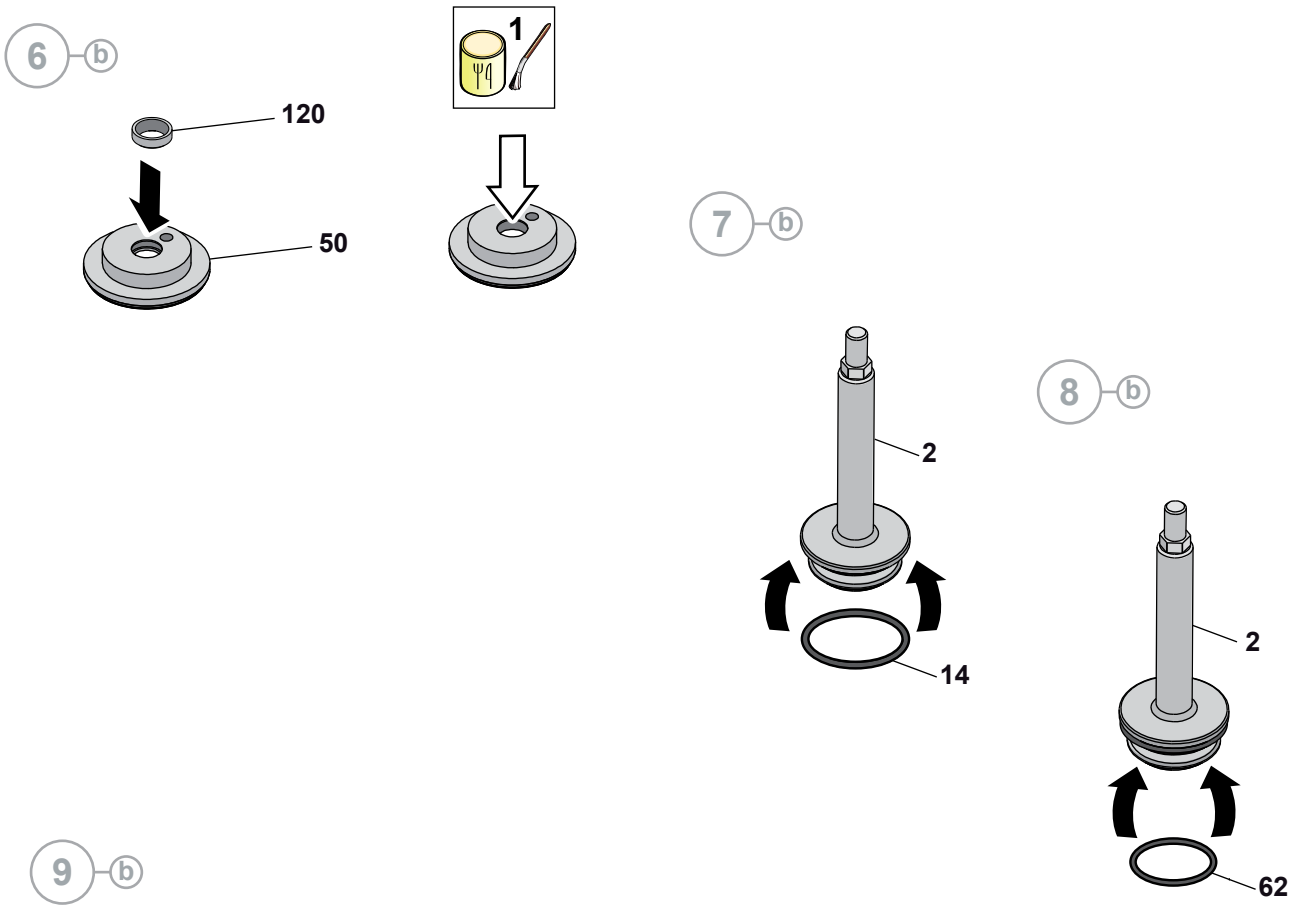


34 a

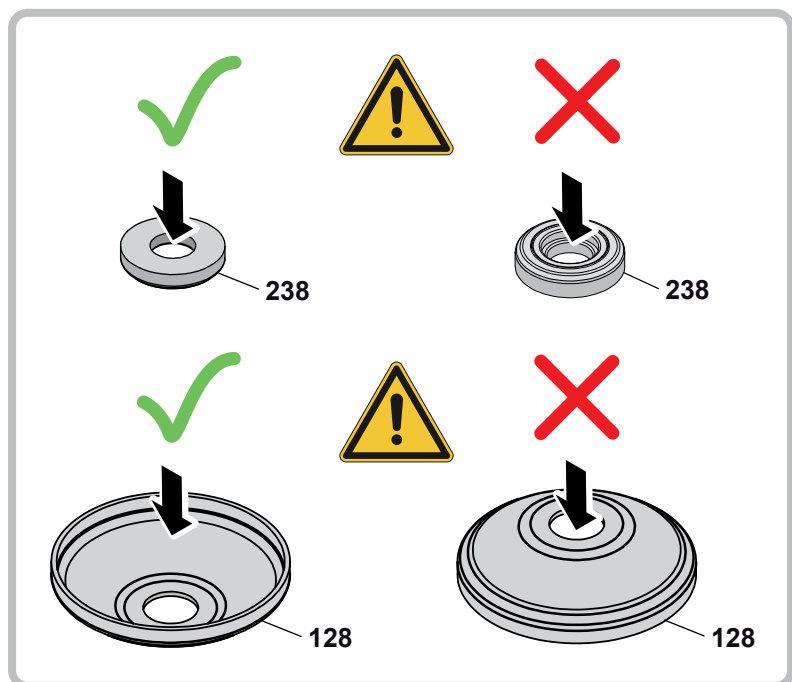
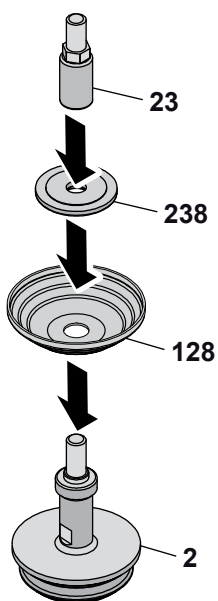


[GIOTTO]

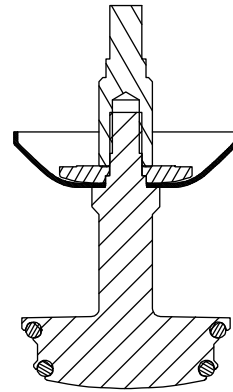
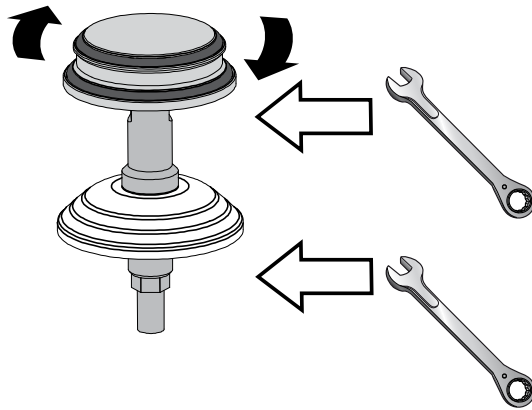
B Assembly of the BWA3



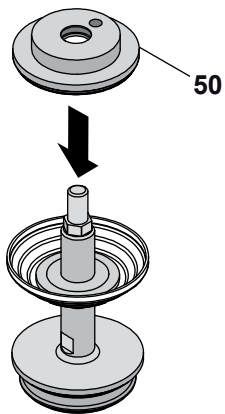
9 (b)



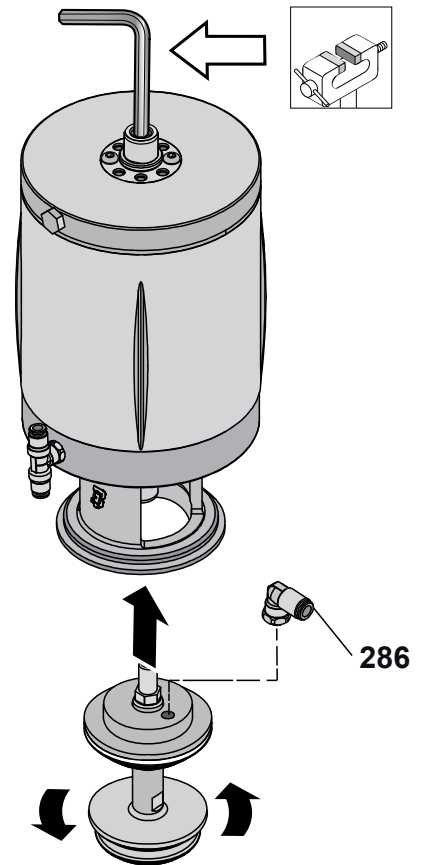
10-b



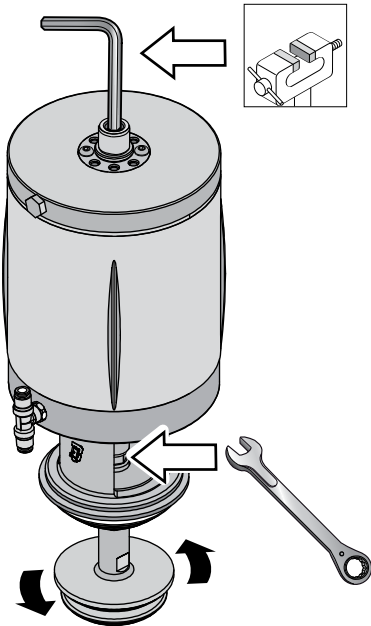
11-b



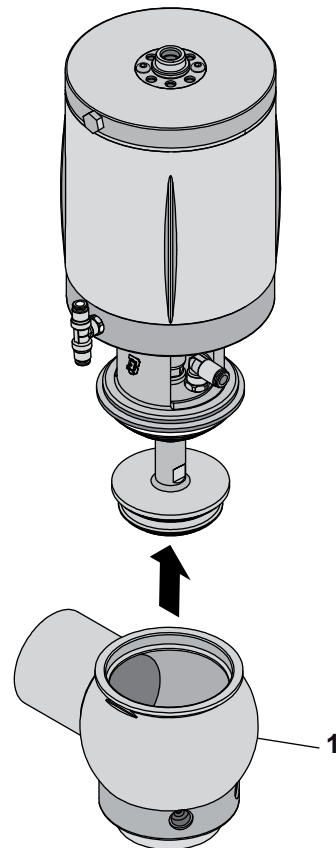
12-b



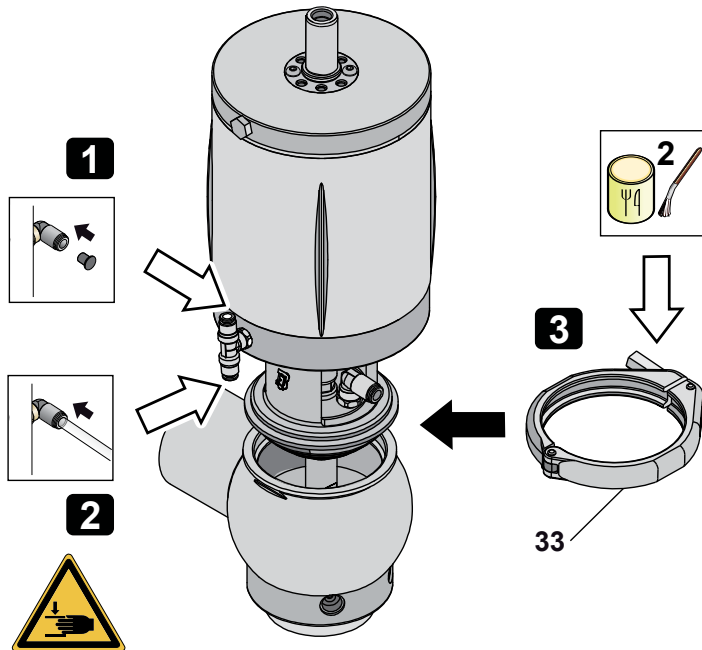
13-b



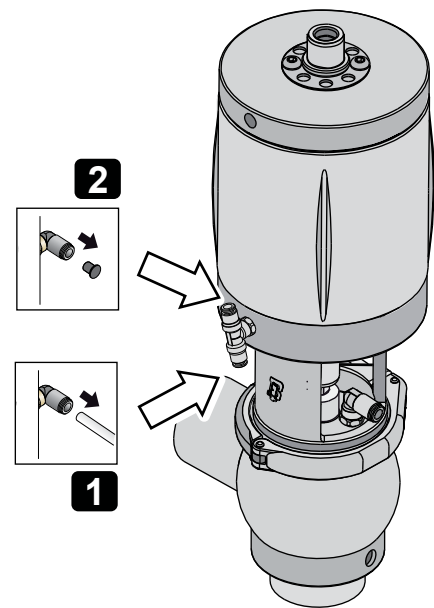
14-b



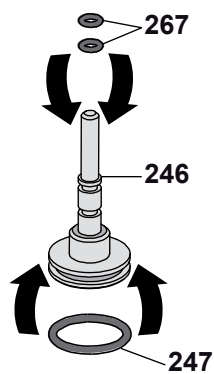
15-b



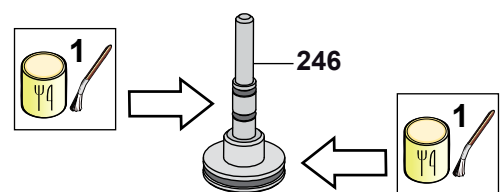
16-b



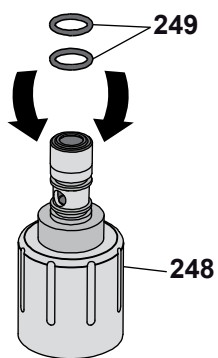
17-b



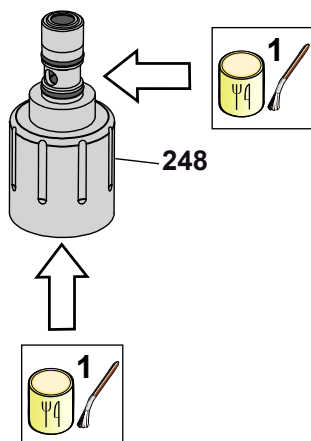
18-b



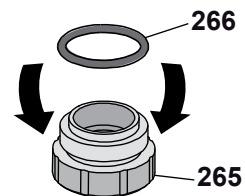
19-b



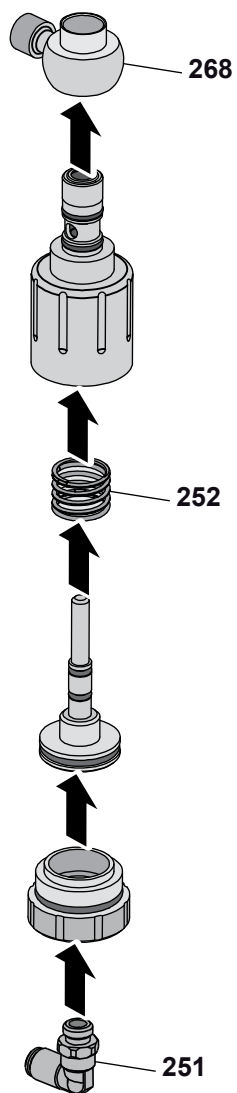
20-b



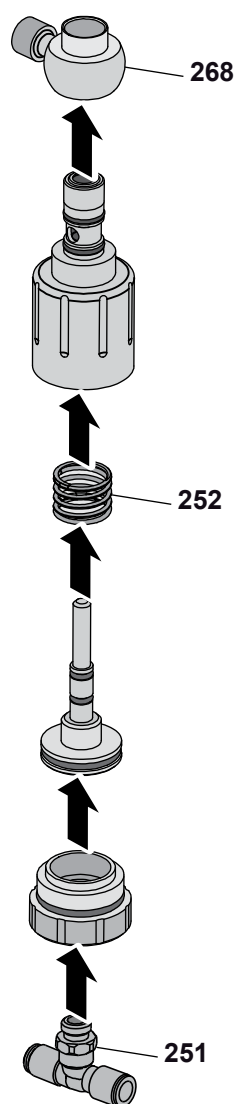
21-b



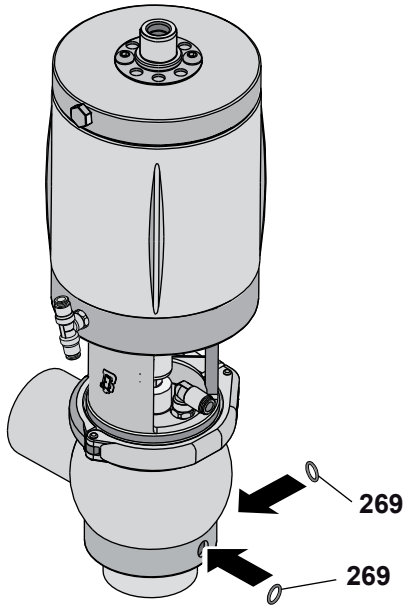
22-b



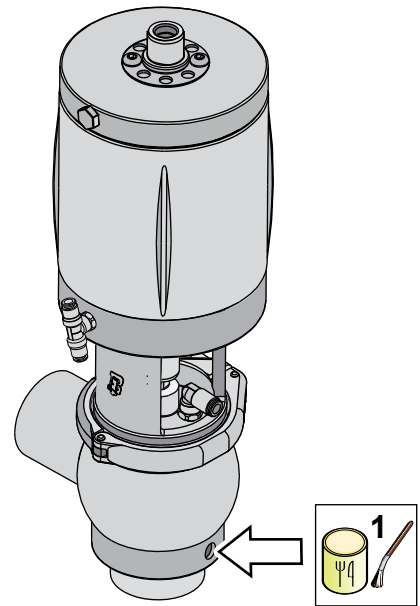
23-b



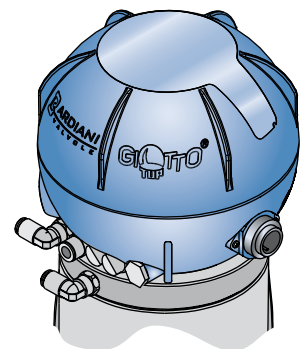
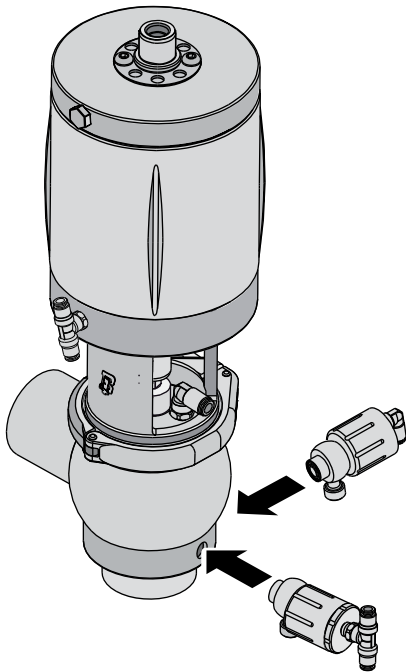
24-b



25-b



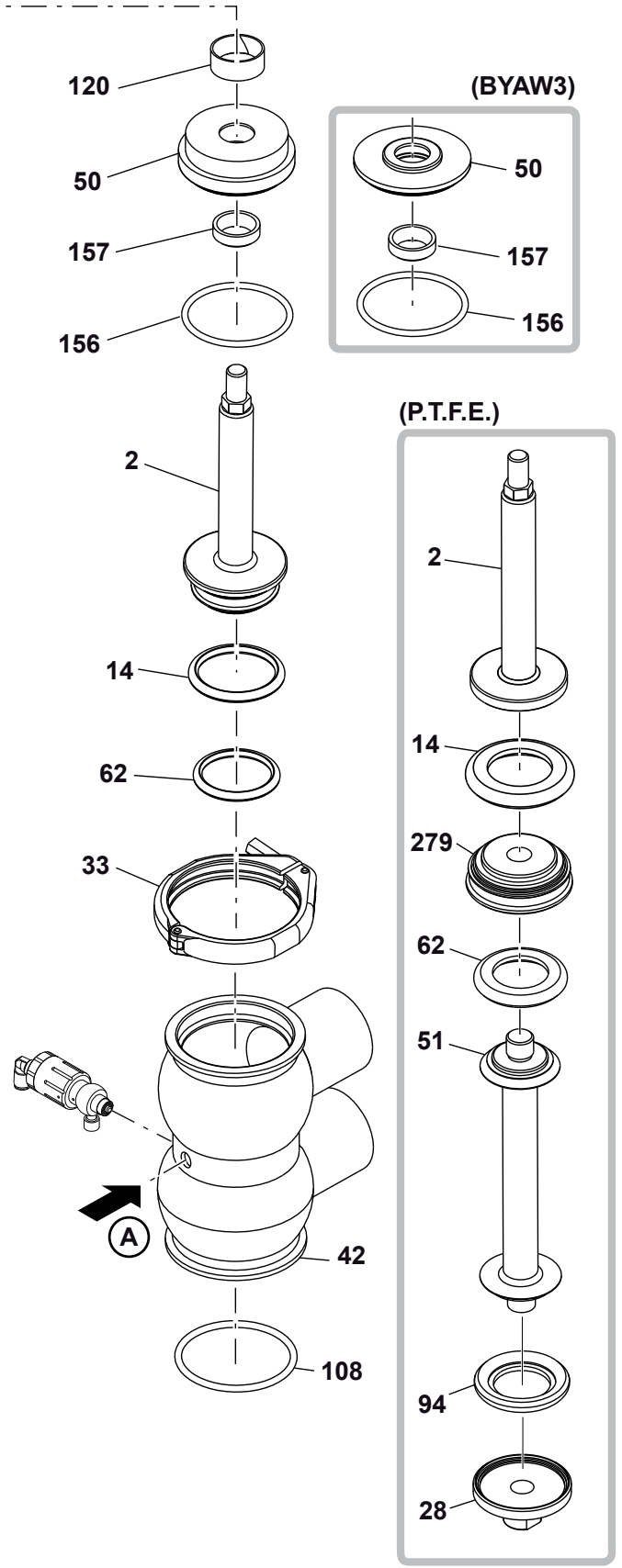
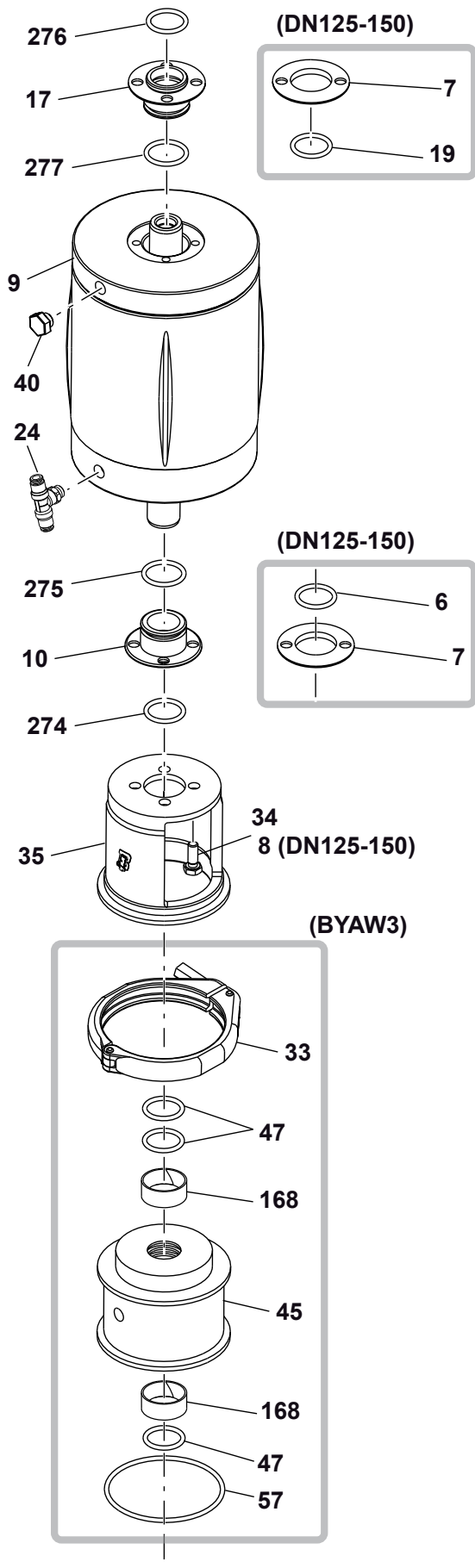
26-b

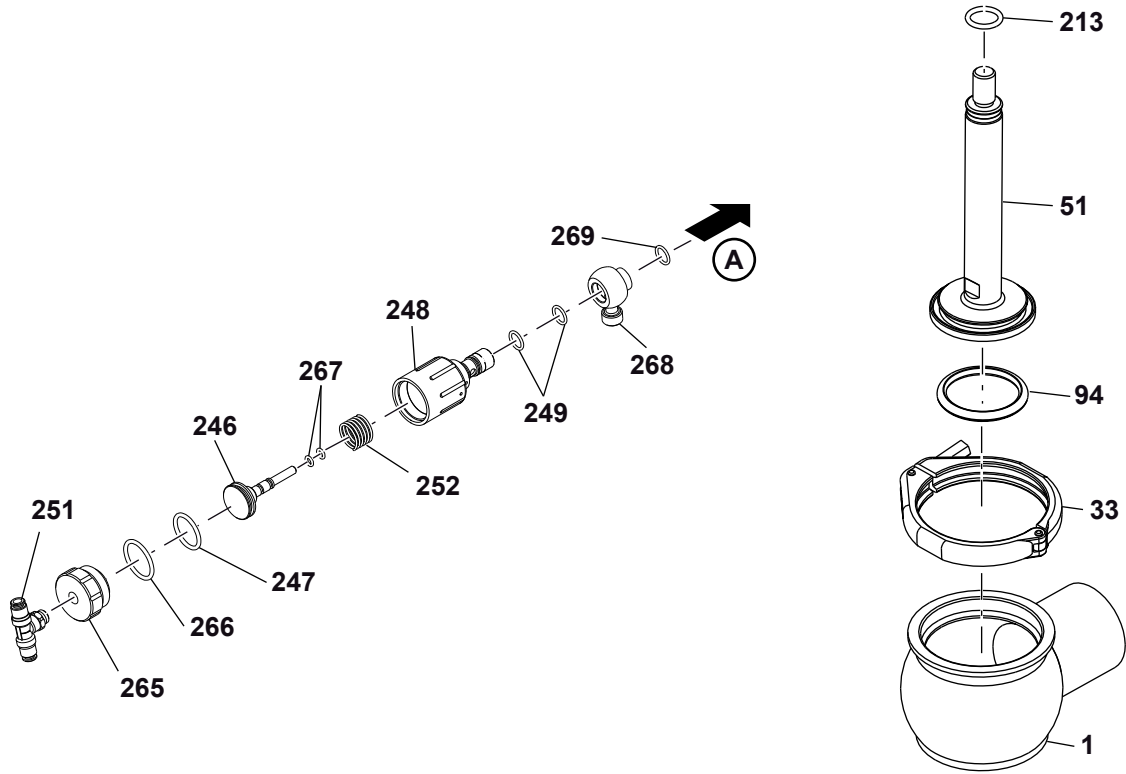


[GIOTTO]

10.7 Mixproof Valve BZAW3 Diverter

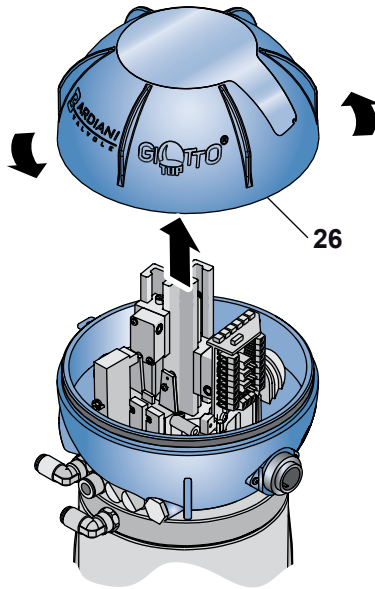
NO.	DESCRIPTION	NO.	DESCRIPTION
1	Lower body	269	Sealing ring
2	Shutter	274	Sealing ring
6	Sealing ring	275	Sealing ring
7	Washer	276	Sealing ring
8	Screw	277	Sealing ring
9	Cylinder		
10	Bush		
14	Sealing ring		
17	Bush		
19	Sealing ring		
24	Air connector		
33	Clamp		
34	Screw		
35	Assembly		
40	Plug		
42	Intermediate body		
45	Steam Barrier		
47	Seal Ring		
50	Gasket holder disc		
51	Lower shutter		
57	Seal Ring		
62	Sealing ring		
94	Sealing ring		
108	Sealing ring		
120	Guide Bushing		
156	Sealing ring		
157	Sealing ring		
168	Guide Bushing		
213	Sealing ring		
246	Piston		
247	Sealing ring		
248	Cylinder		
249	Sealing ring		
251	Air connector		
252	Spring		
265	Cap		
266	Sealing ring		
267	Sealing ring		
268	Body		



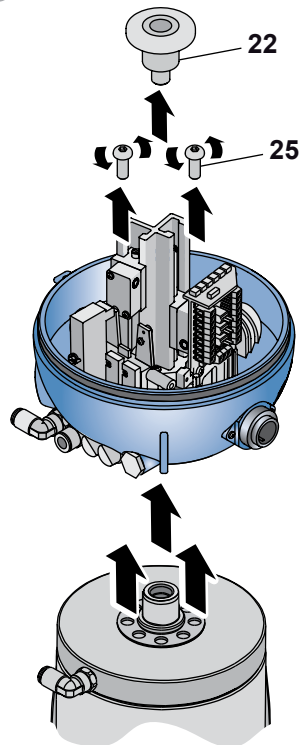


10.8 Disassembly of the BZAW3 Diverter

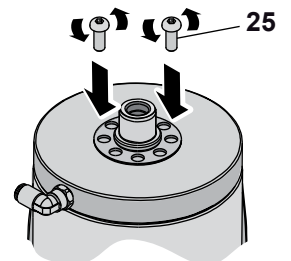
1



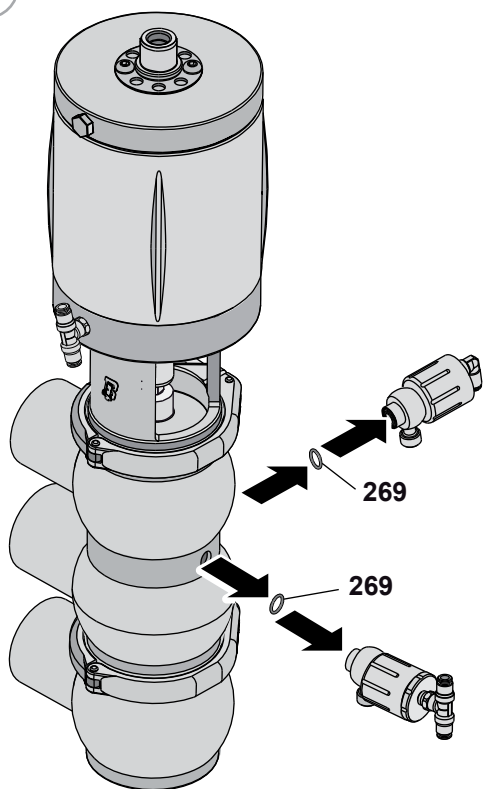
2



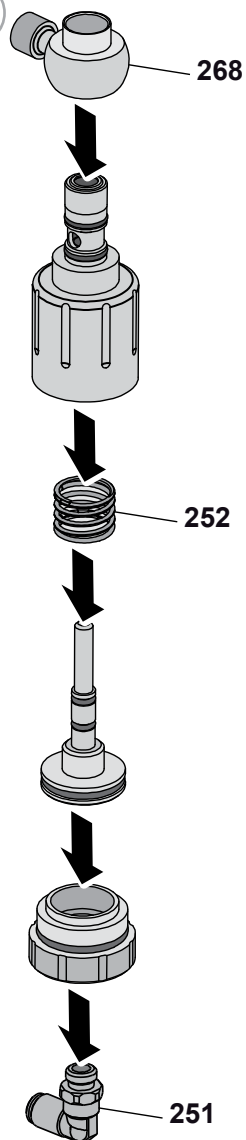
3



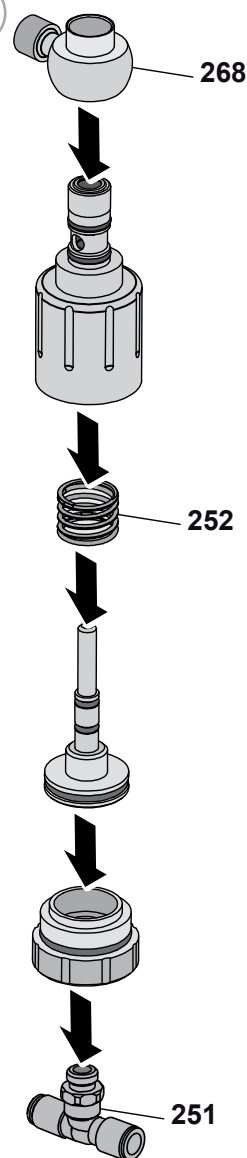
1



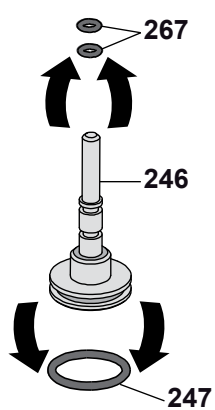
2



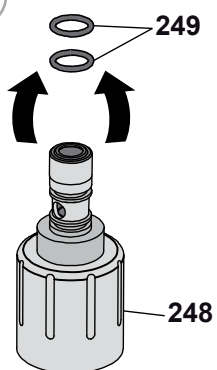
3



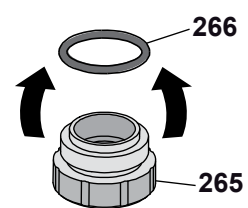
4



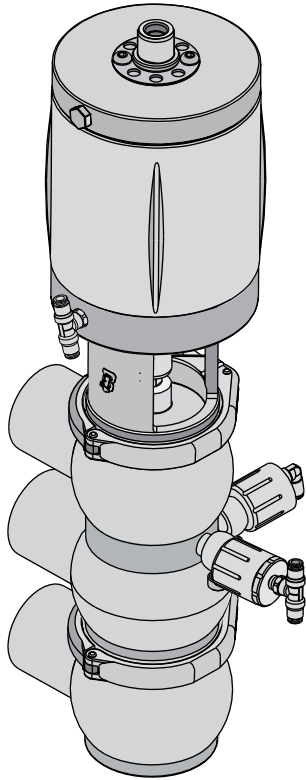
5



6

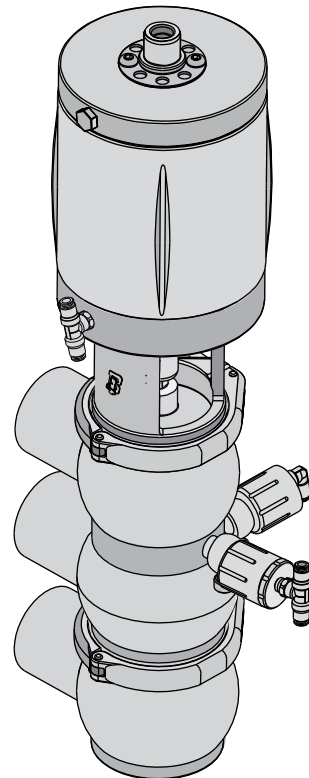


A



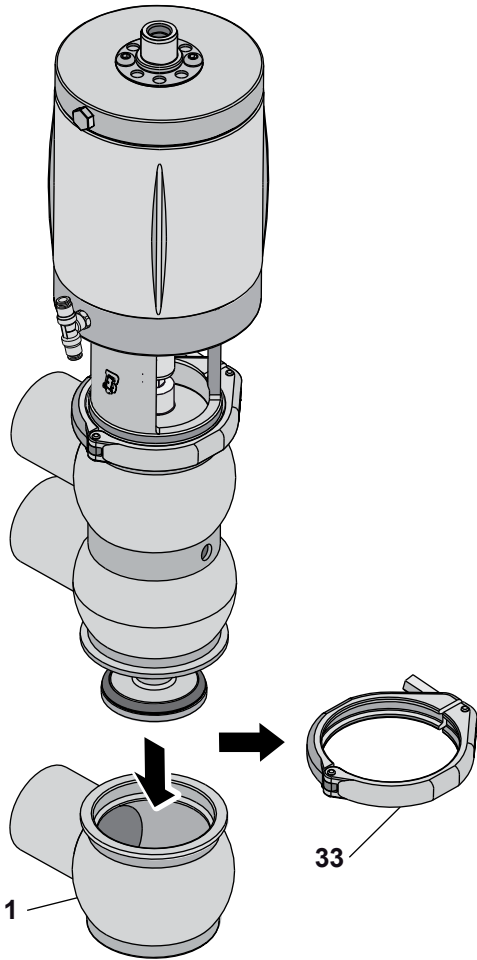
[A S BZAW3-DEV]

B

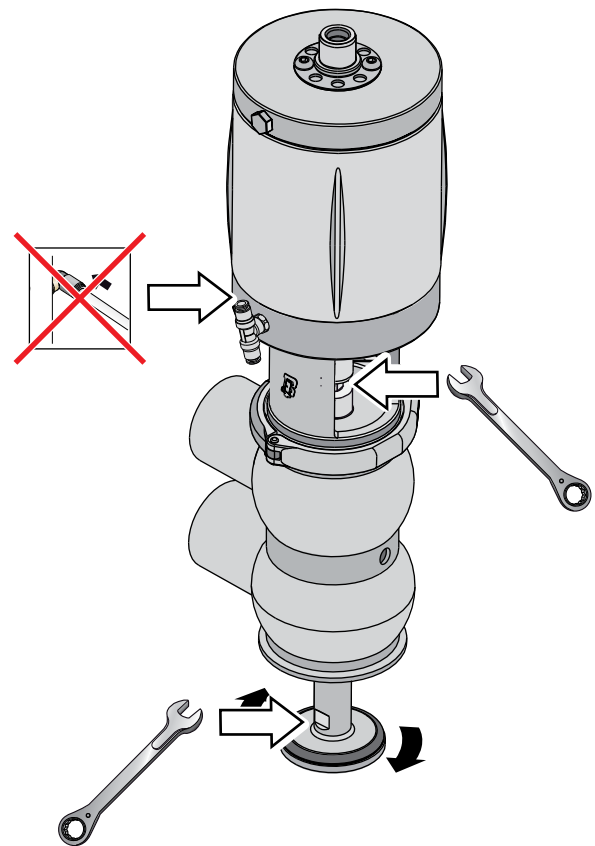


[B S BZAW3-DEV PTFE]

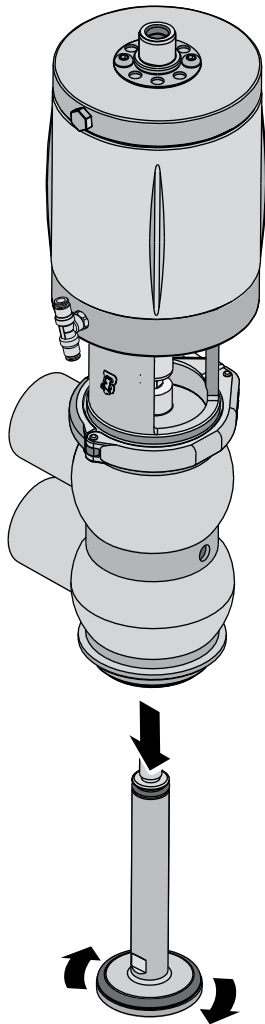
7 a



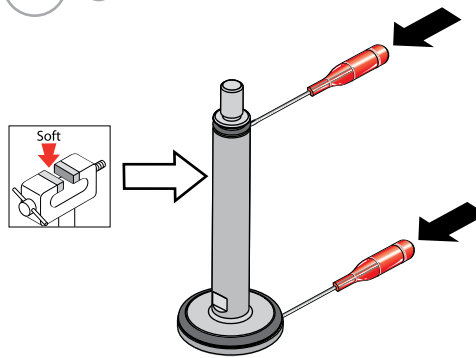
8 a



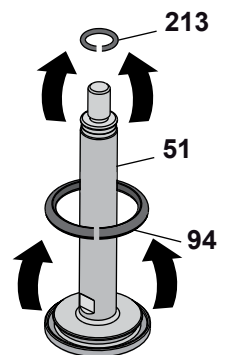
9 a



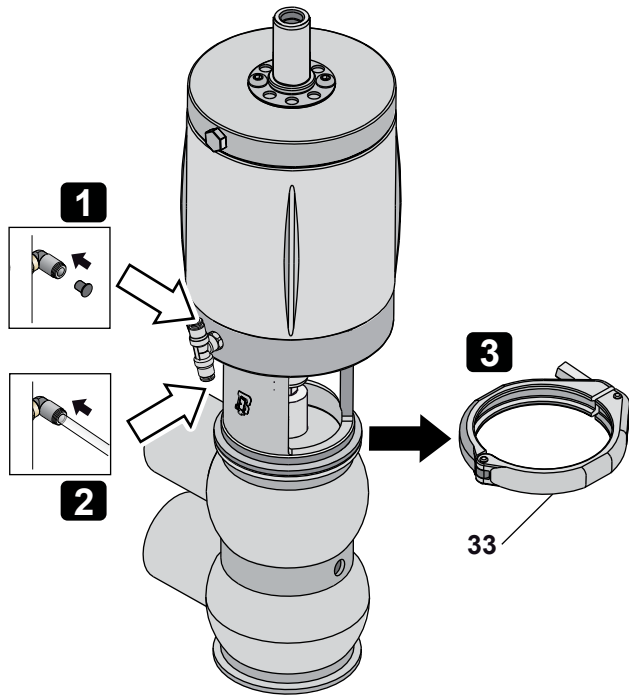
10 a




11 a

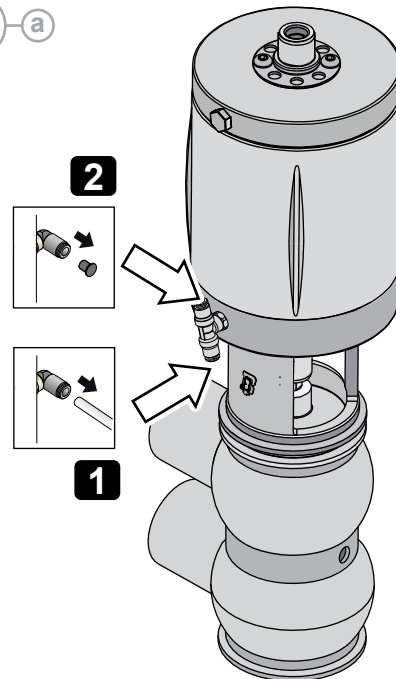


12-a

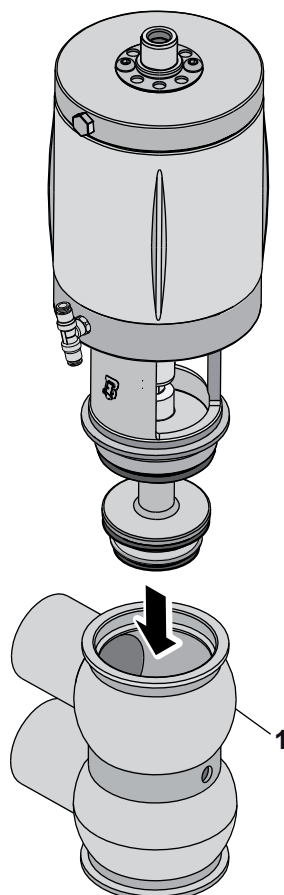



Never touch the moving parts if the actuator is supplied with compressed air

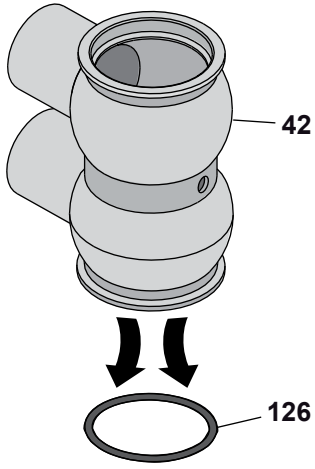
13-a



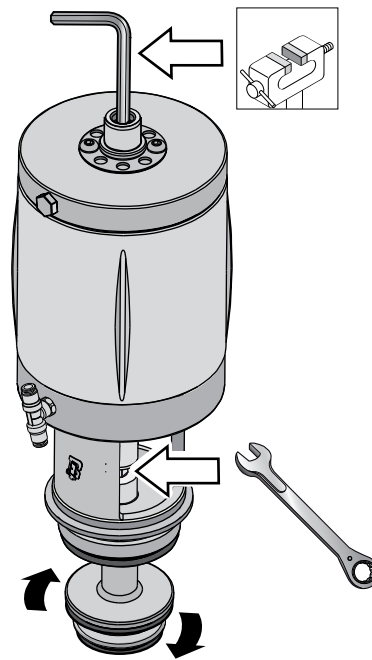
14-a



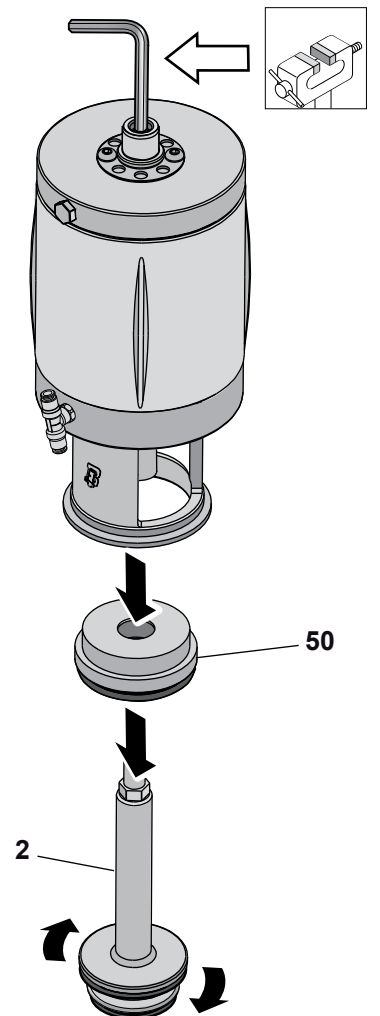
15-a



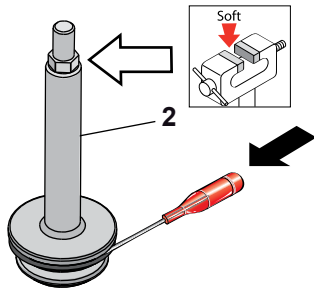
16-a



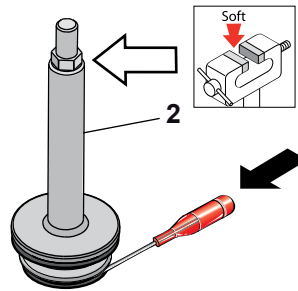
17-a



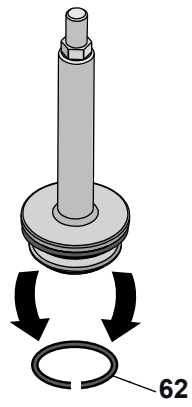
18 a



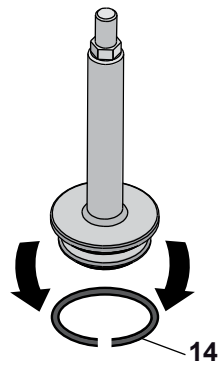
19 a



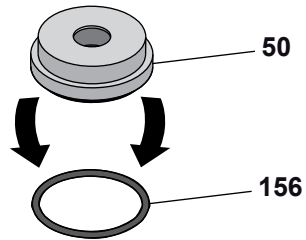
20 a



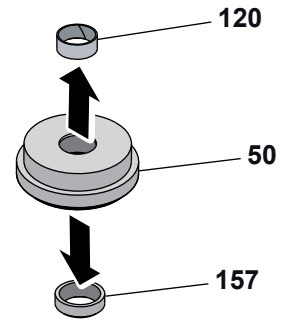
21 a



22-a

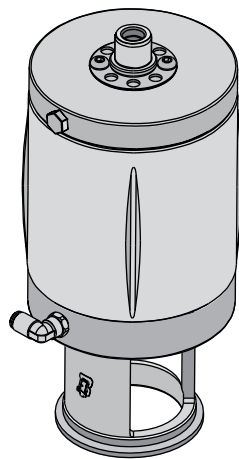


23-a

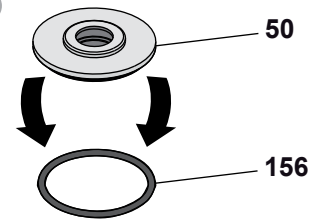


(BYAW3)

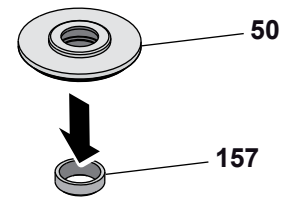
22-d



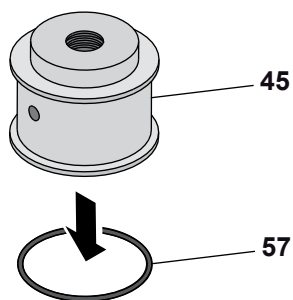
23-d



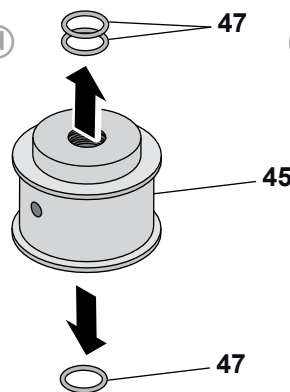
24-d



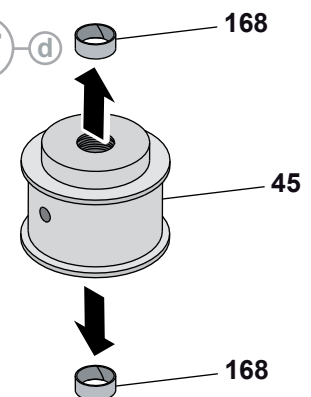
25-d



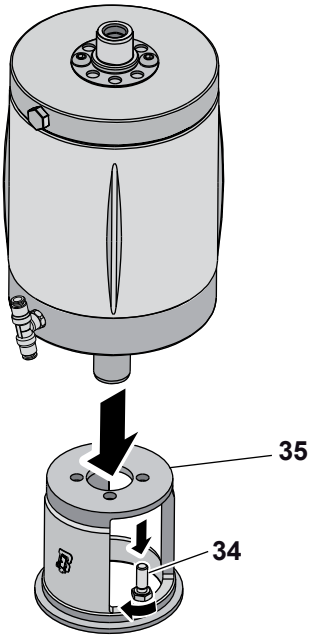
26-d



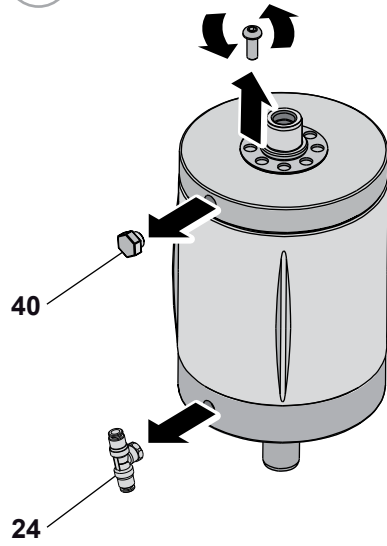
27-d



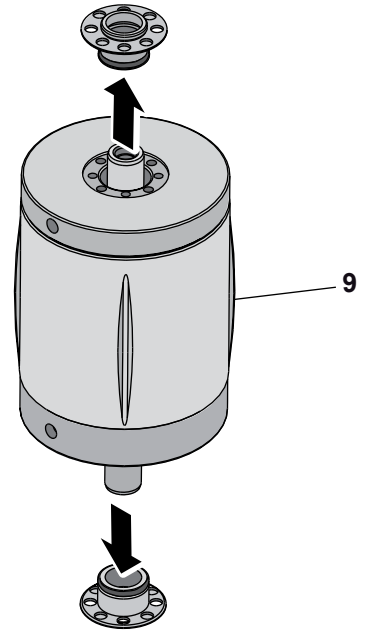
23-a



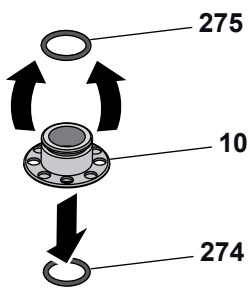
24-a



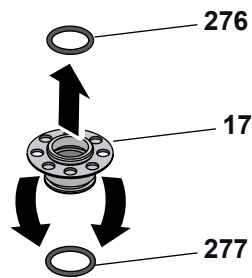
25-a



26-a

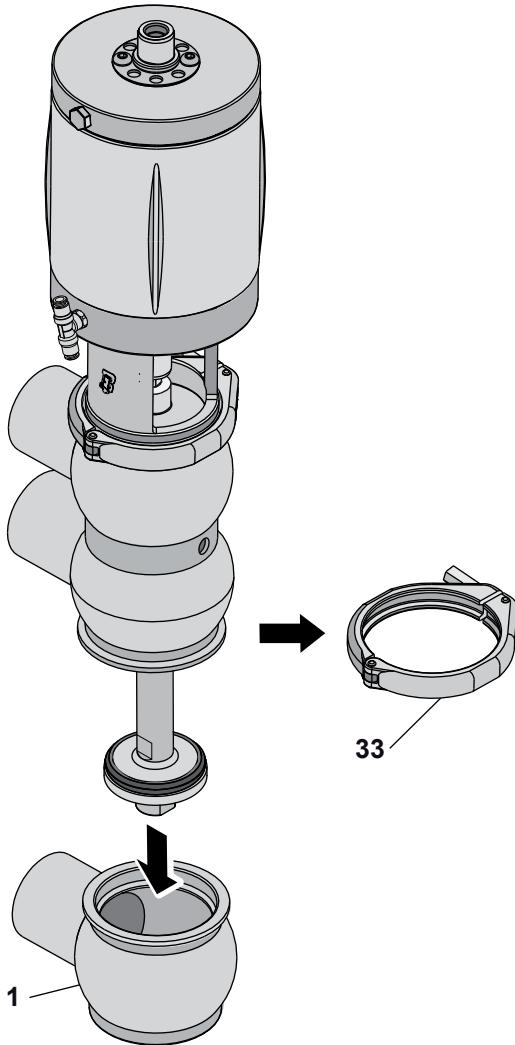


27-a

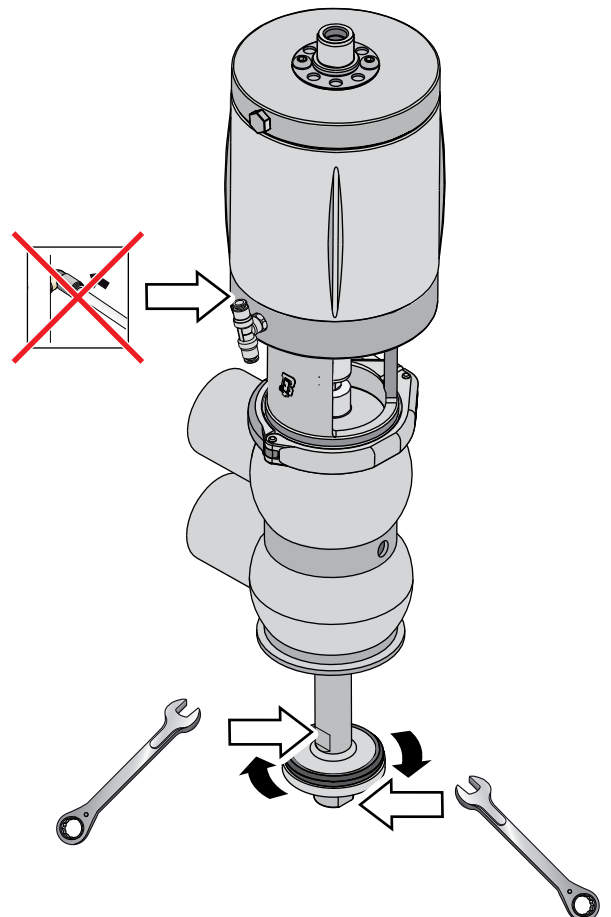


[A M BZAW3-DEV]

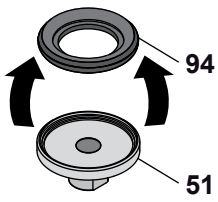
7-b



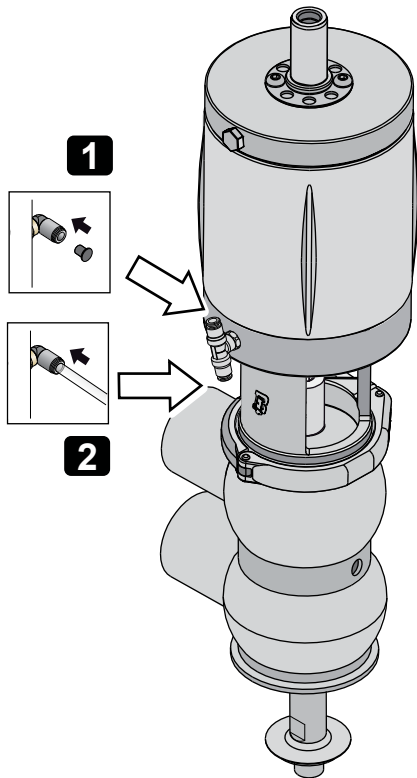
8-b



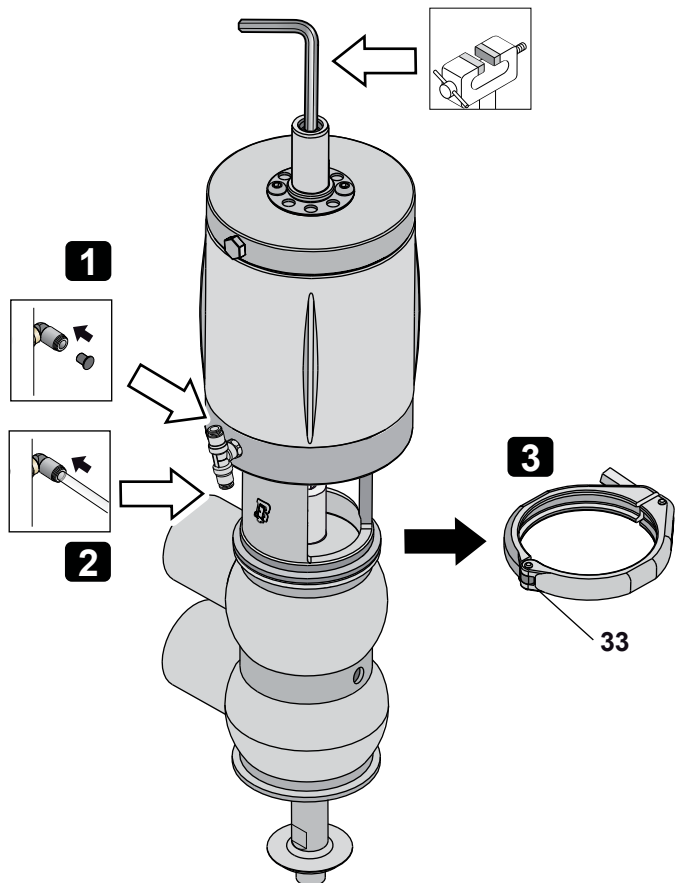
9-b



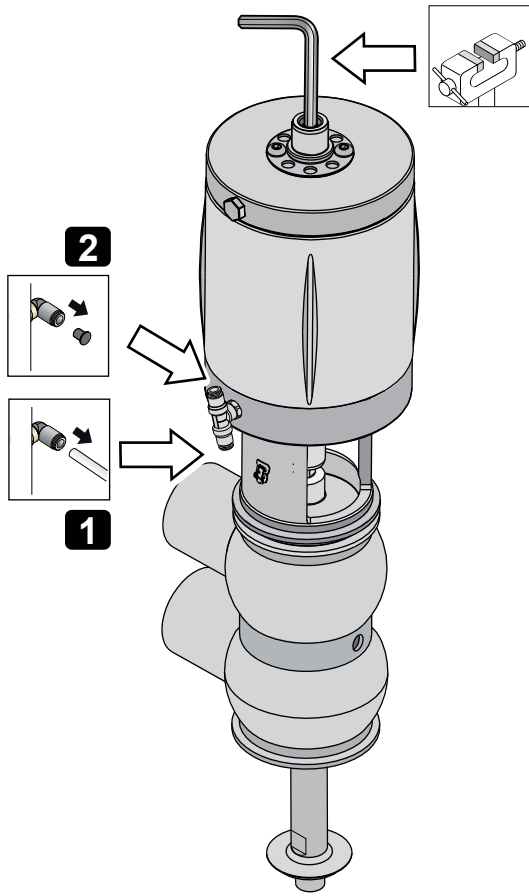
10-b



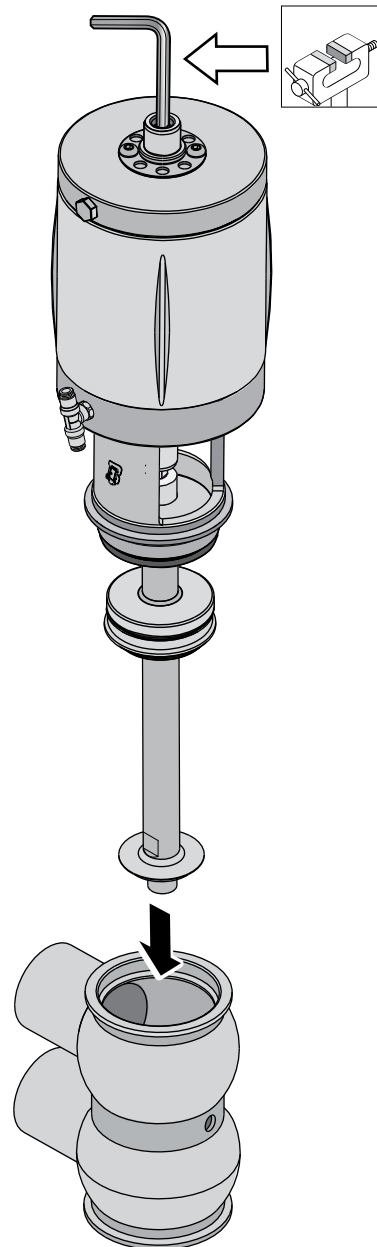
11-b



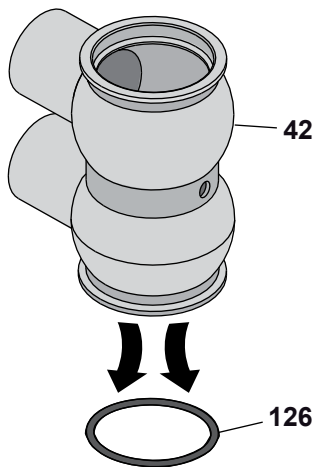
12-b



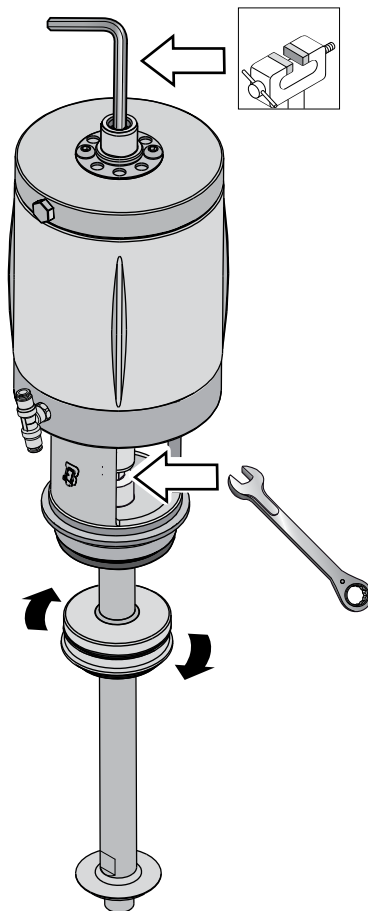
13-b



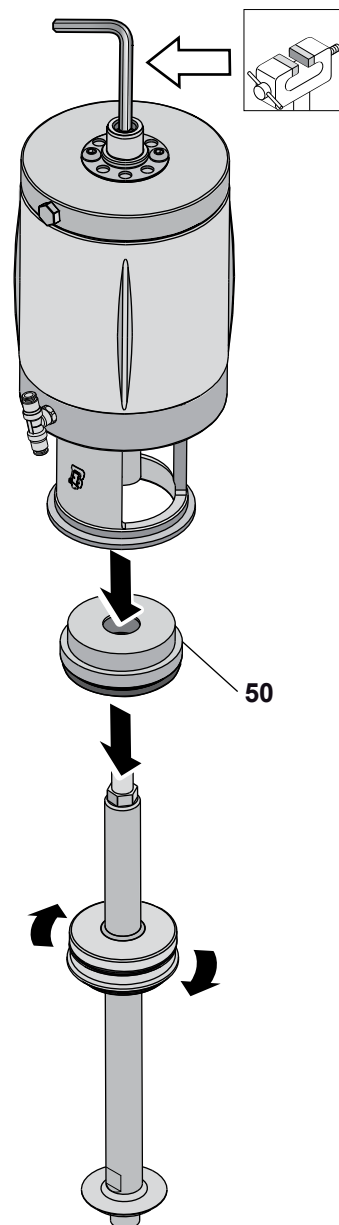
14-b



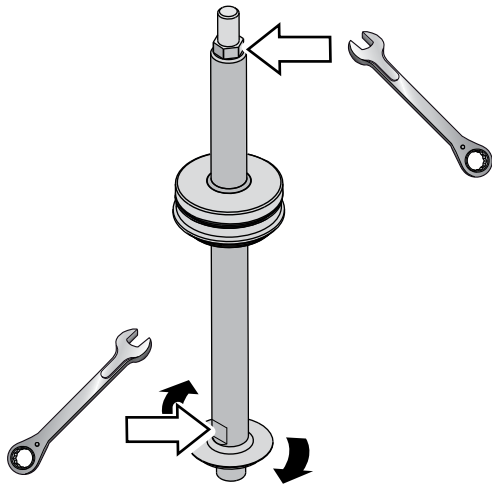
15-b



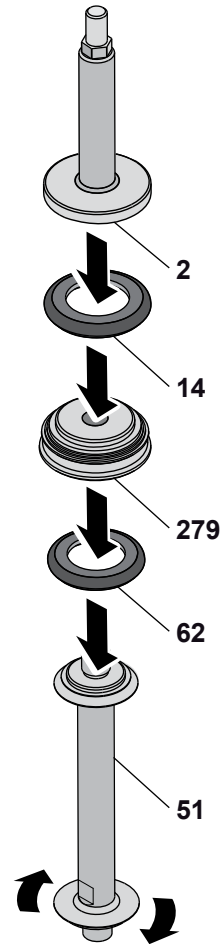
16-b



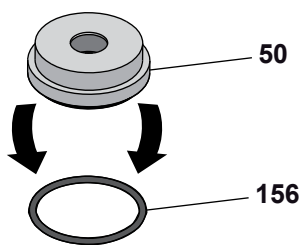
17-b



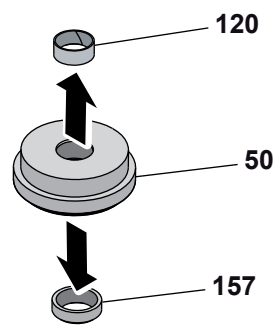
18-b

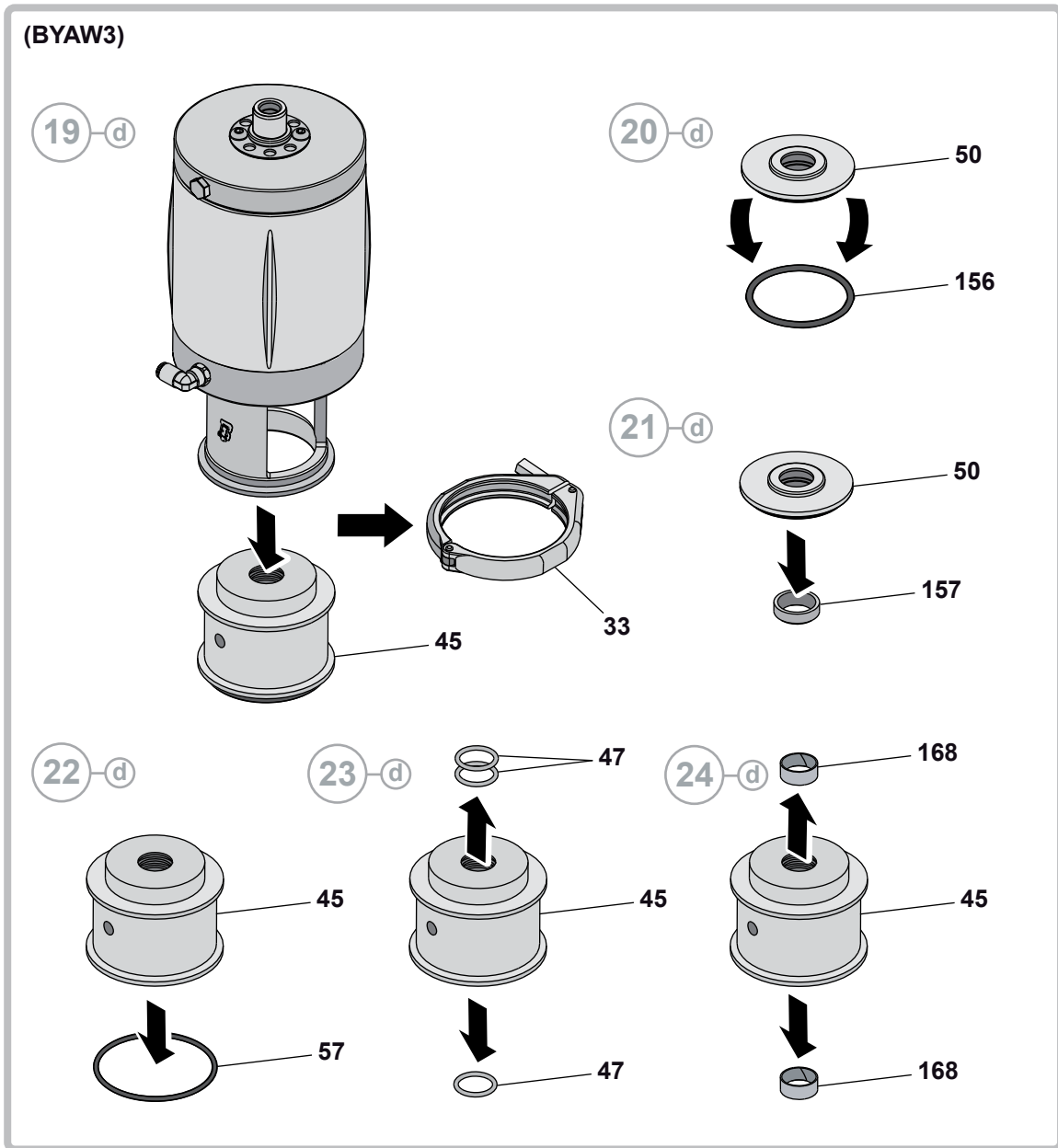


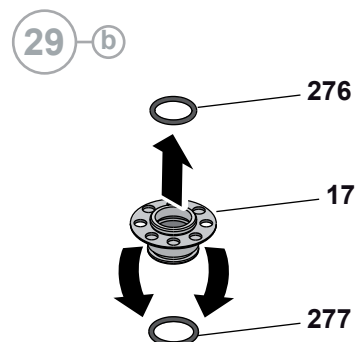
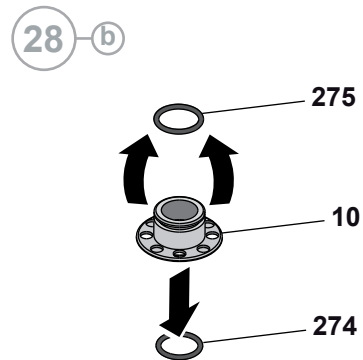
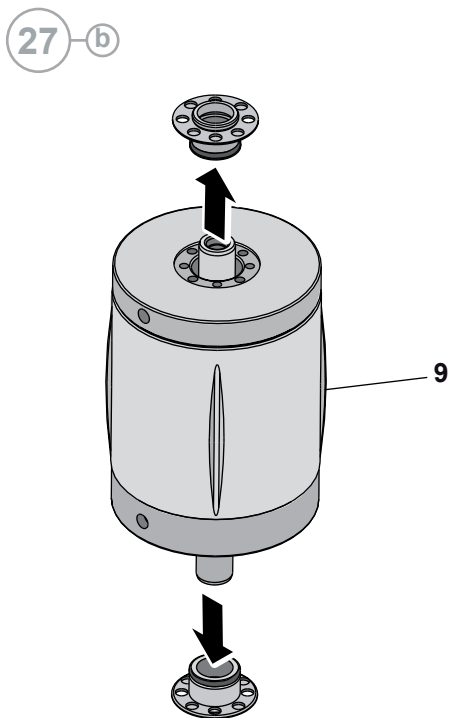
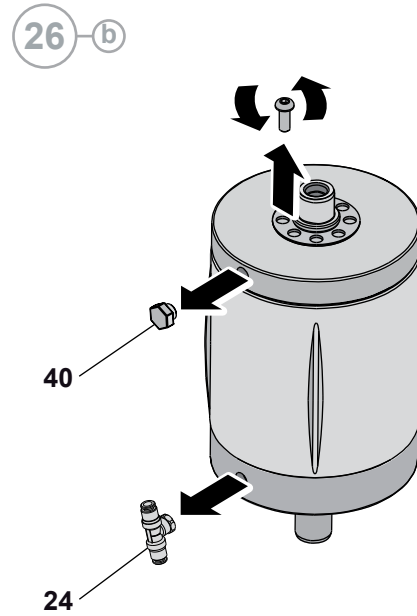
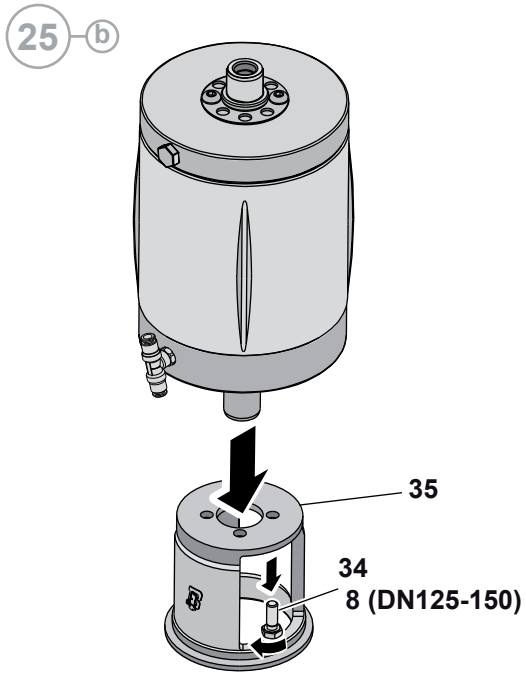
19-b



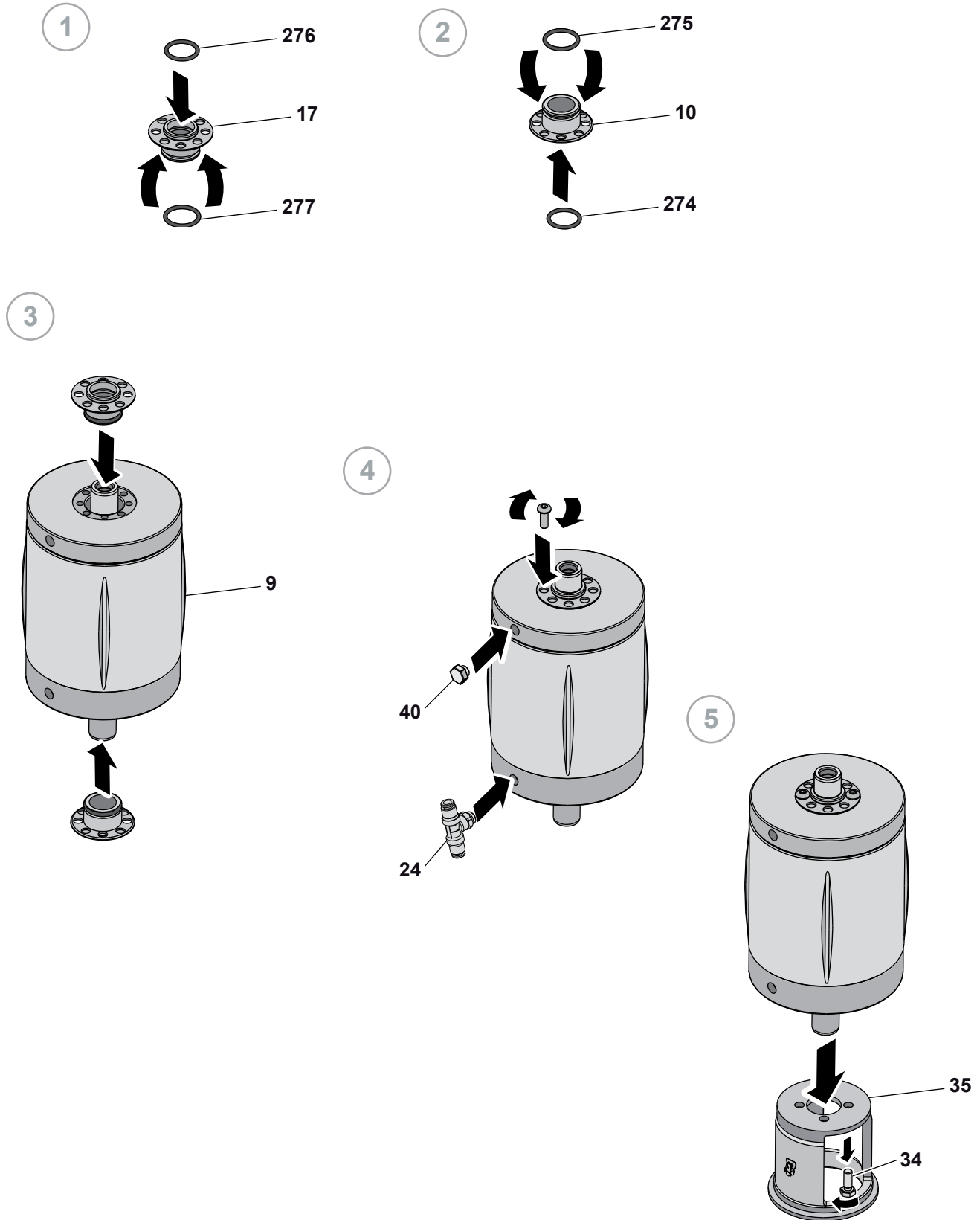
20-b



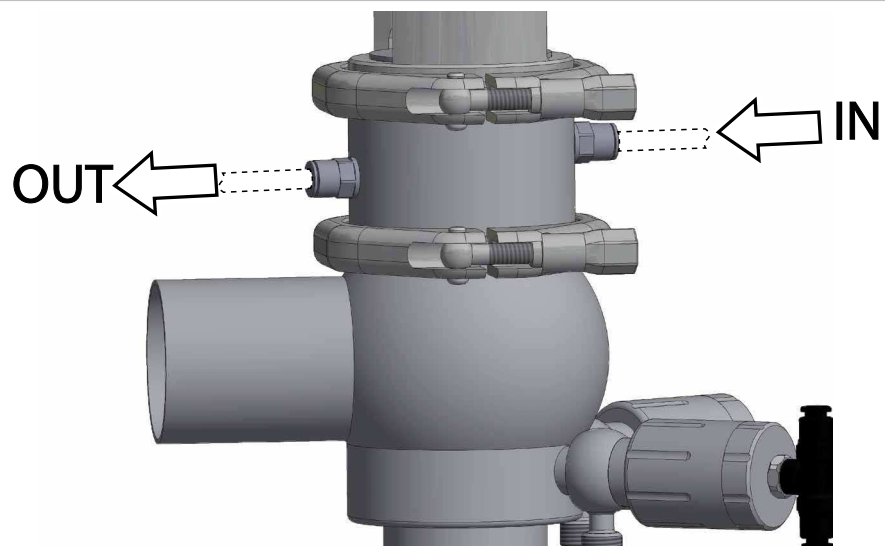
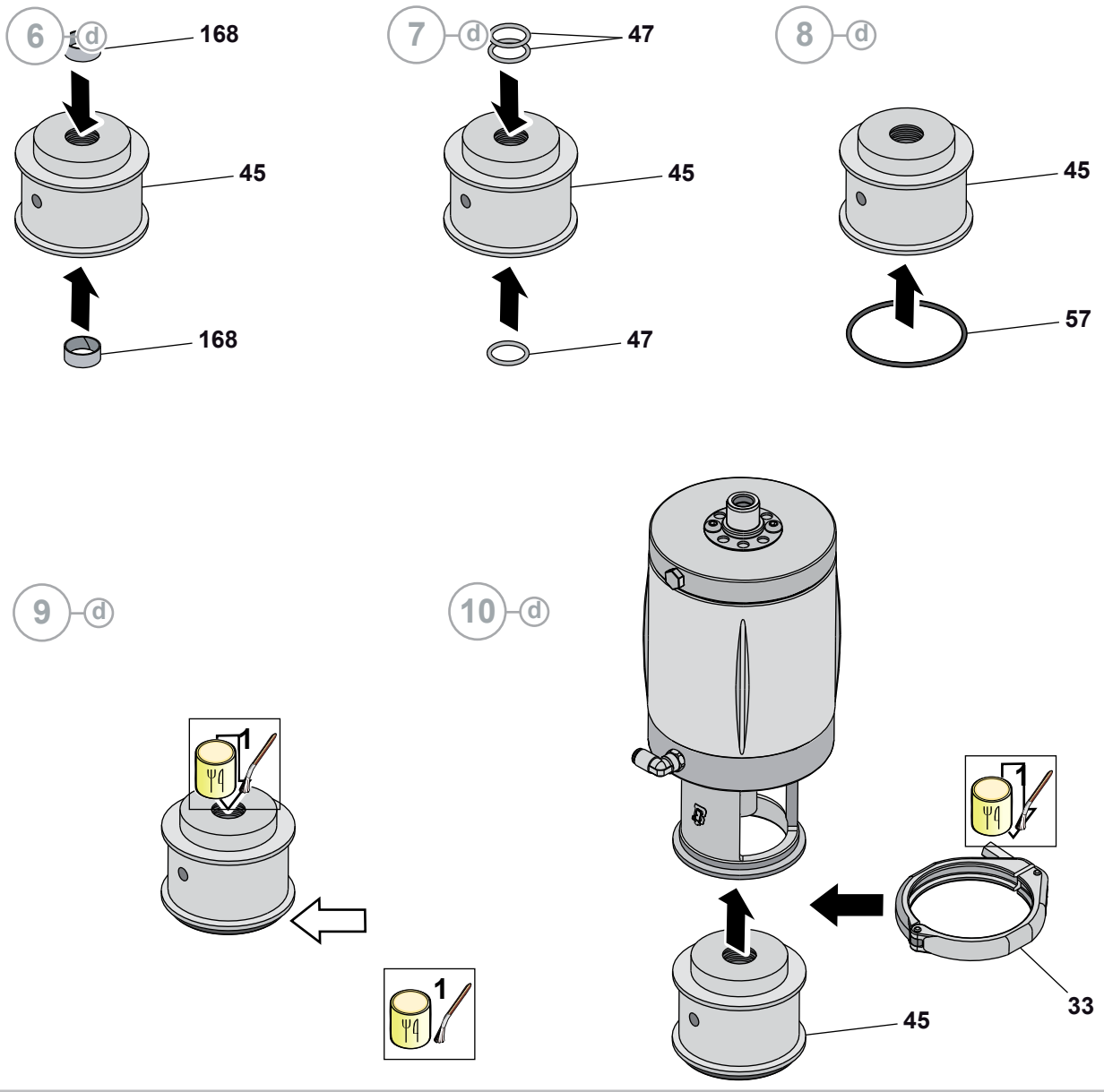


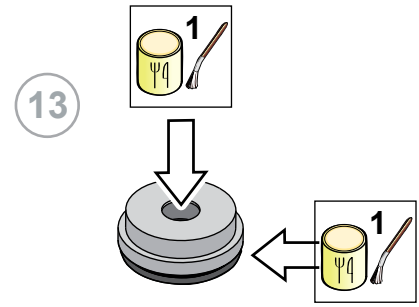
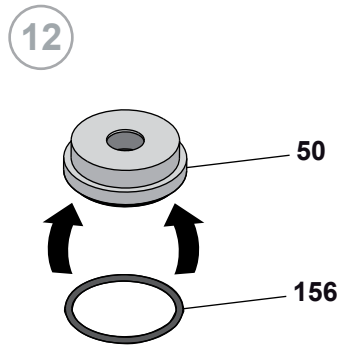
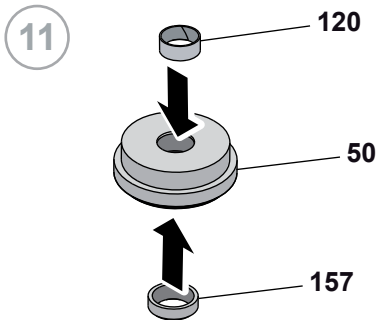


10.9 Assembly of the BZAW3 Diverter

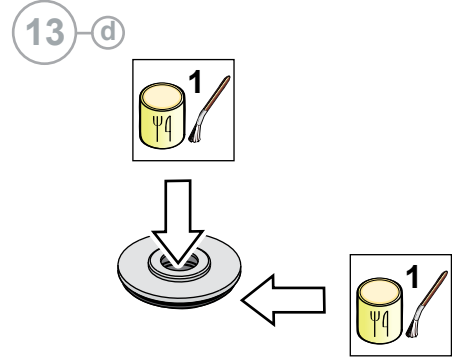
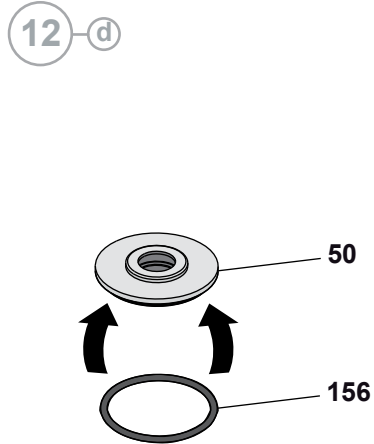
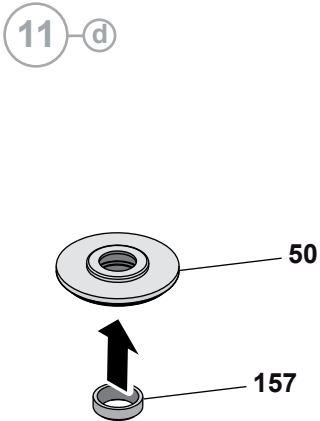


(BYAW3)

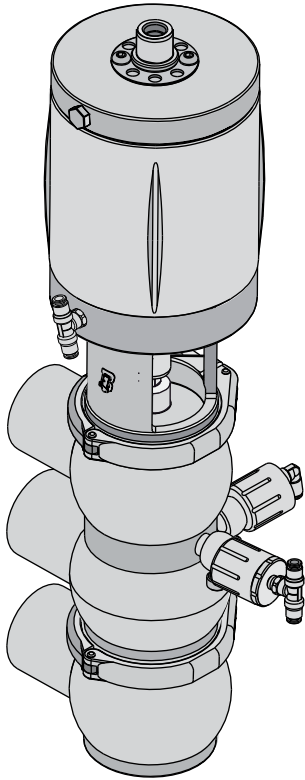




(BYAW3)

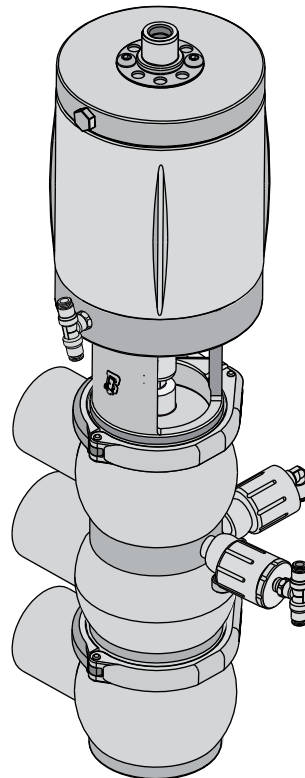


A



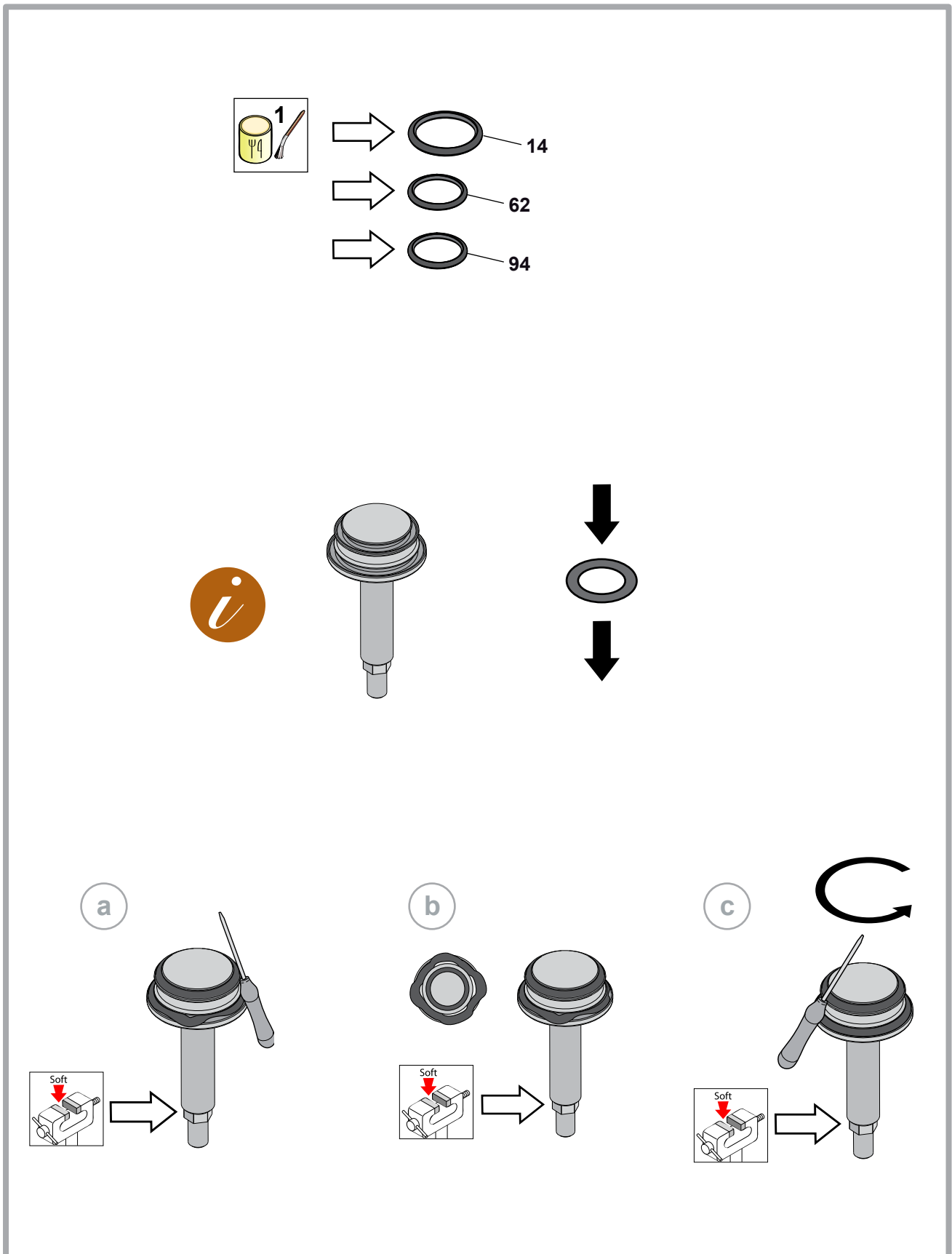
[A M BZAW3-DEV]

B

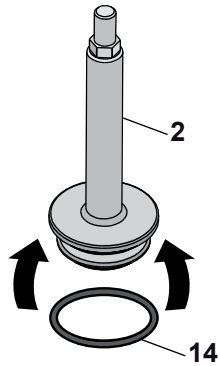


[B M BZAW3-DEV PTFE]

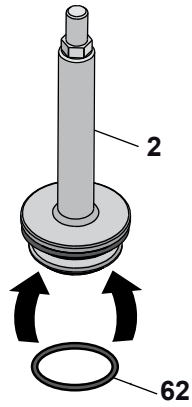
A Assembly of the BZAW3 Diverter



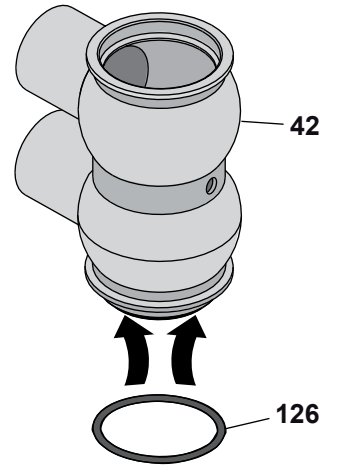
14-a



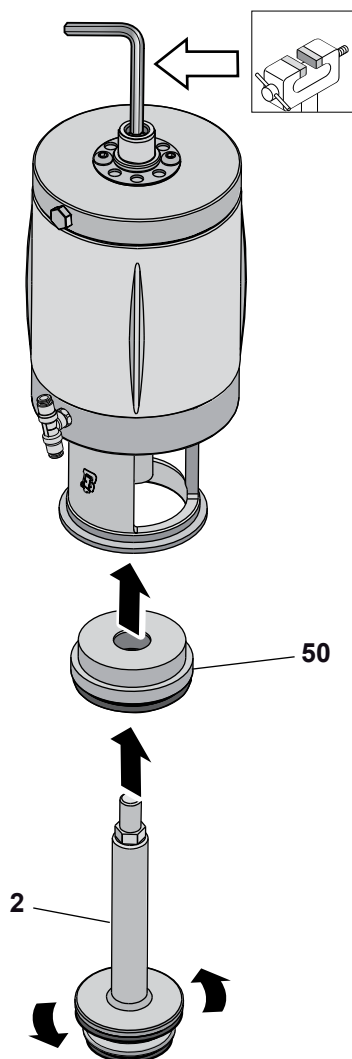
15-a



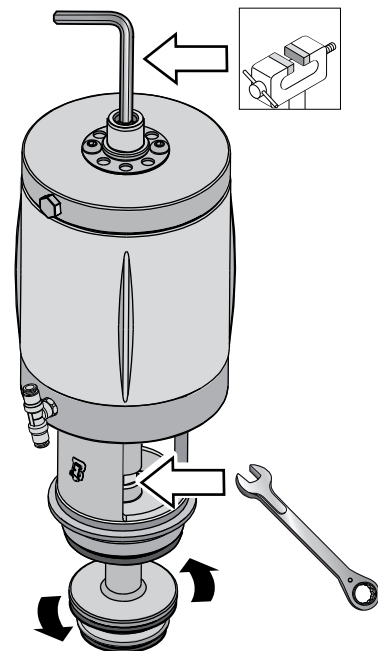
16-a



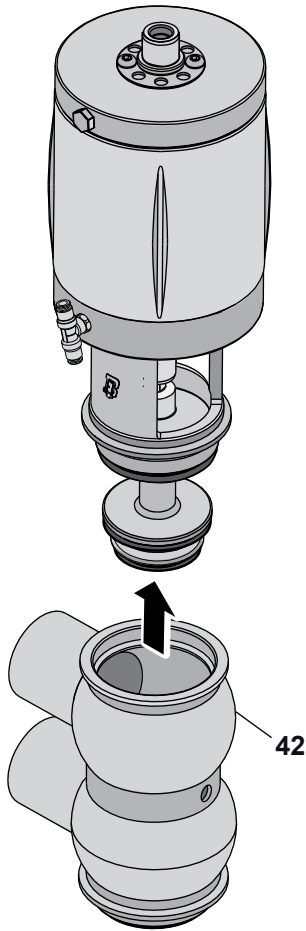
17-a



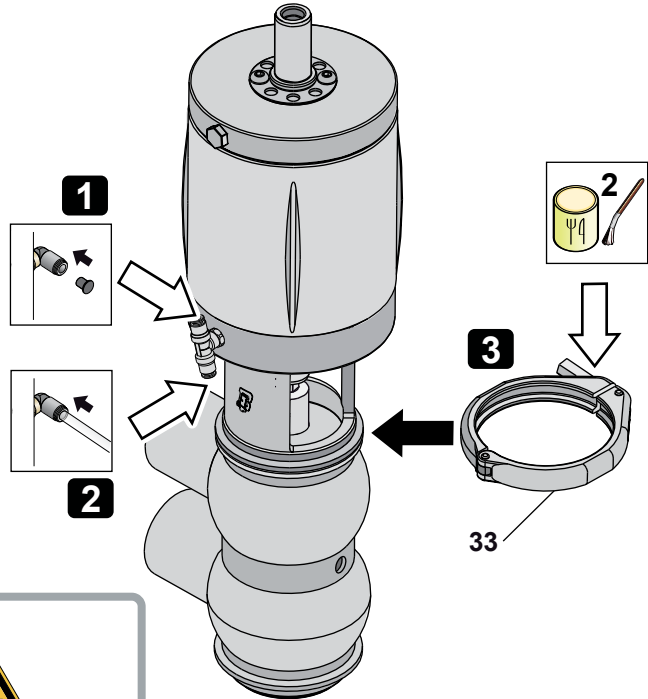
18-a



19-a

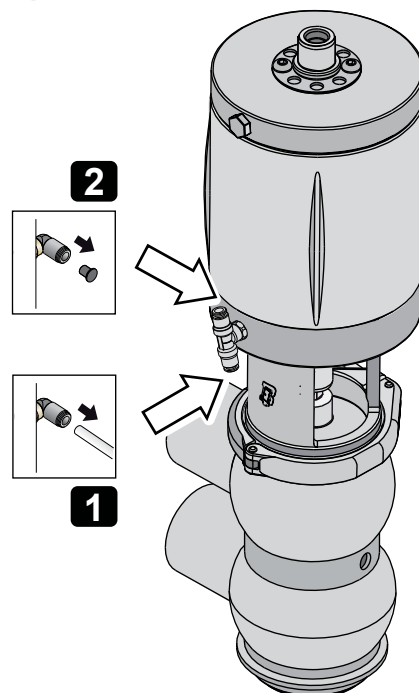


20-a

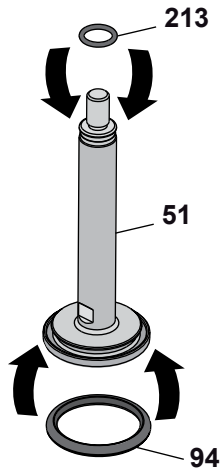


Never touch the moving parts if the actuator is supplied with compressed air

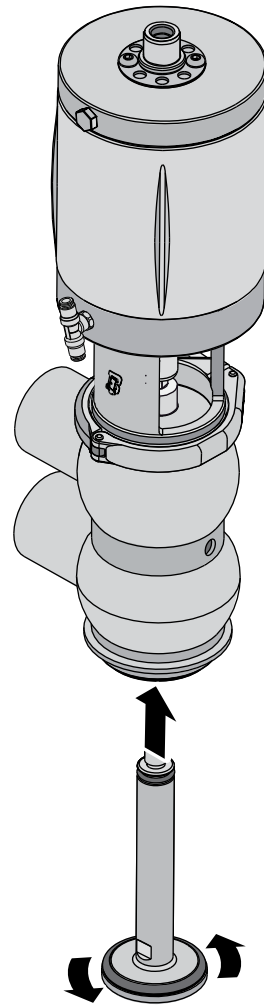
21-a



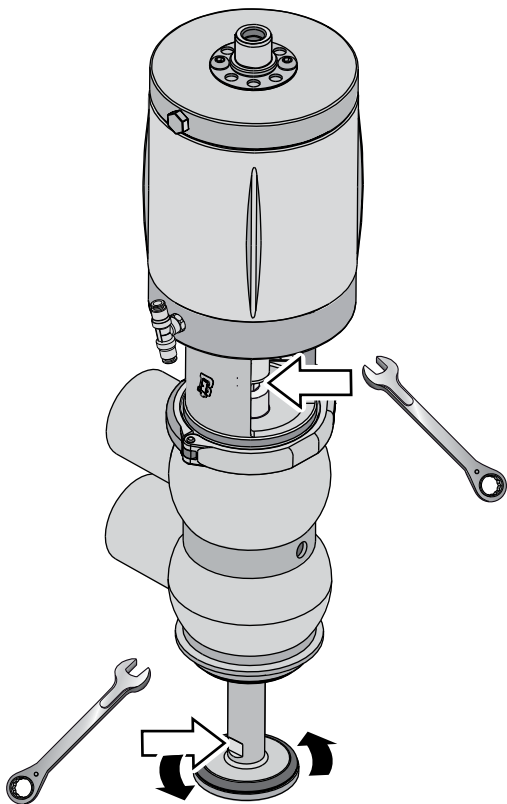
22 a



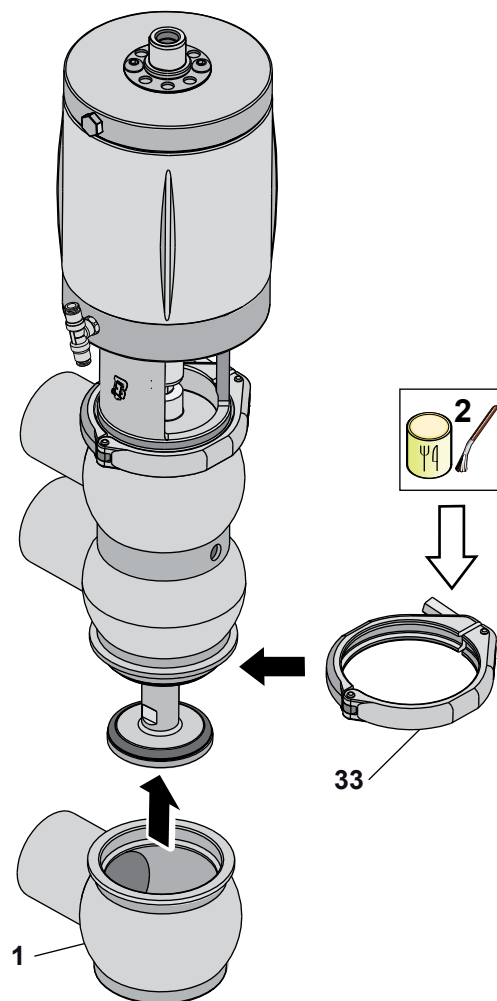
23 a



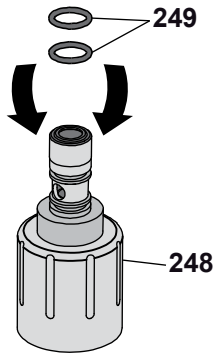
24 a



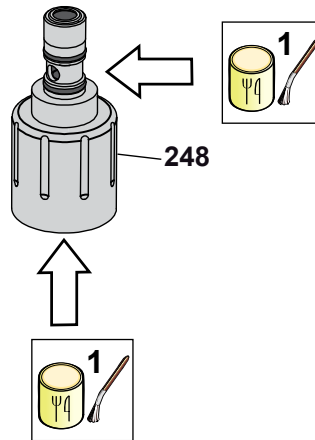
25 a



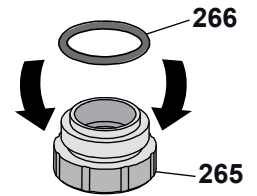
26-a



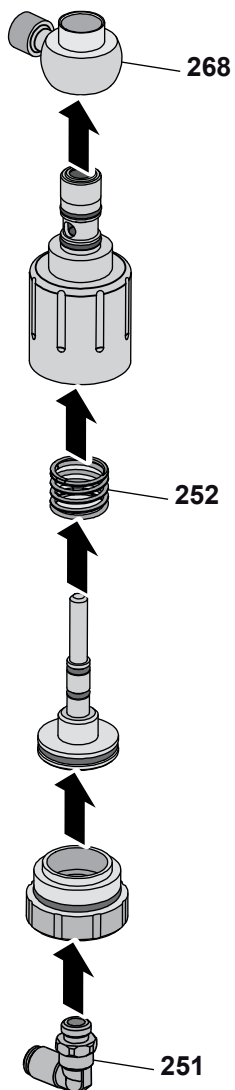
27-a



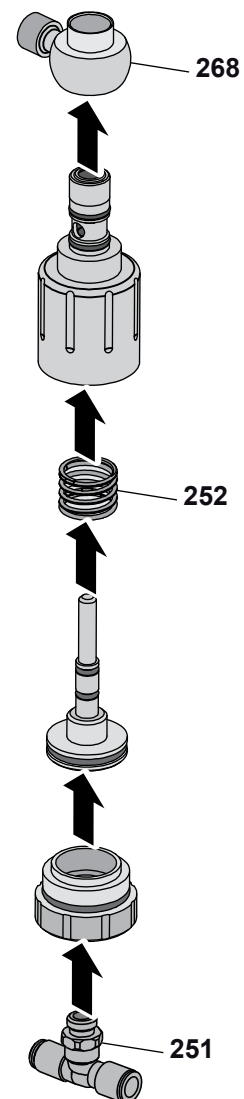
28-a



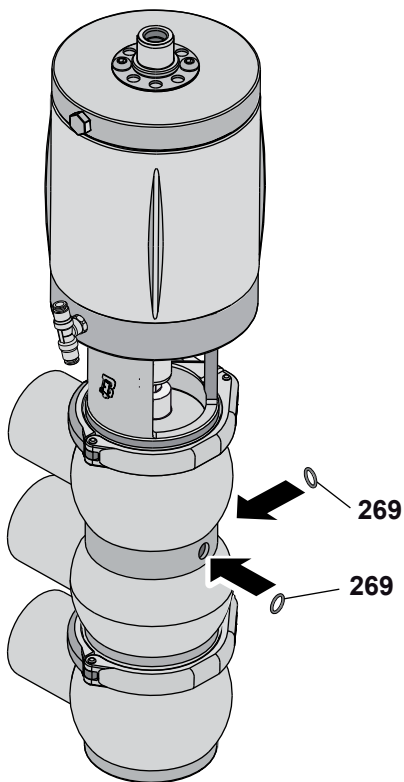
29-a



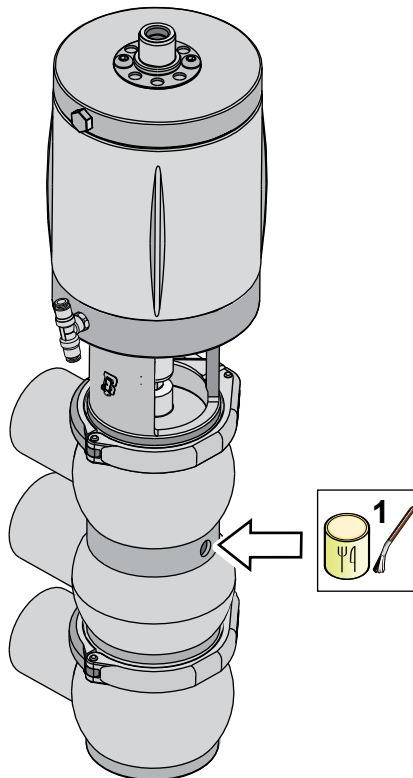
30-a



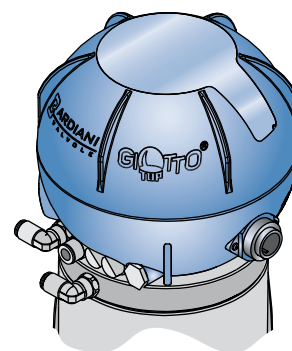
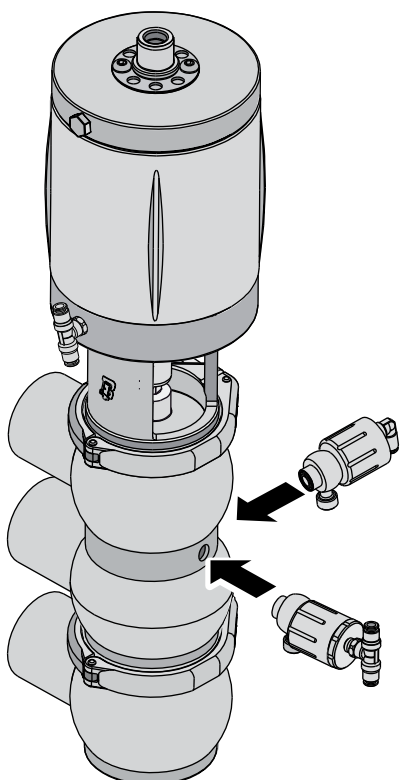
31 a



32 a



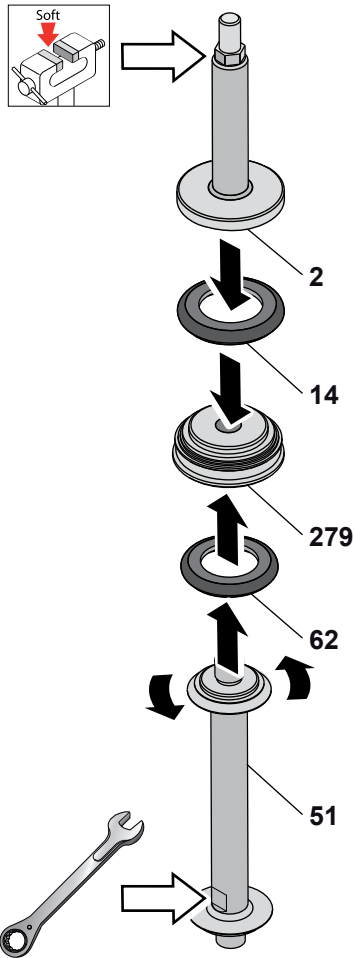
33 a



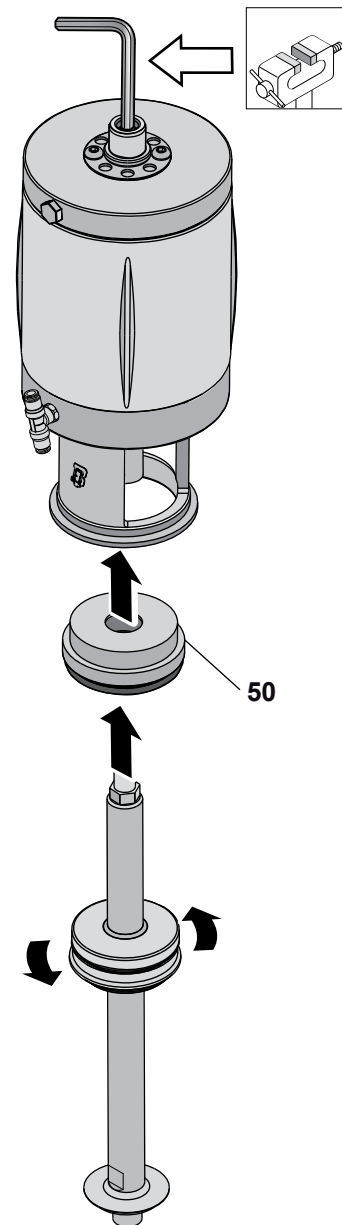
[GIOTTO]

B Assembly of the BZAW3 PTFE diverter

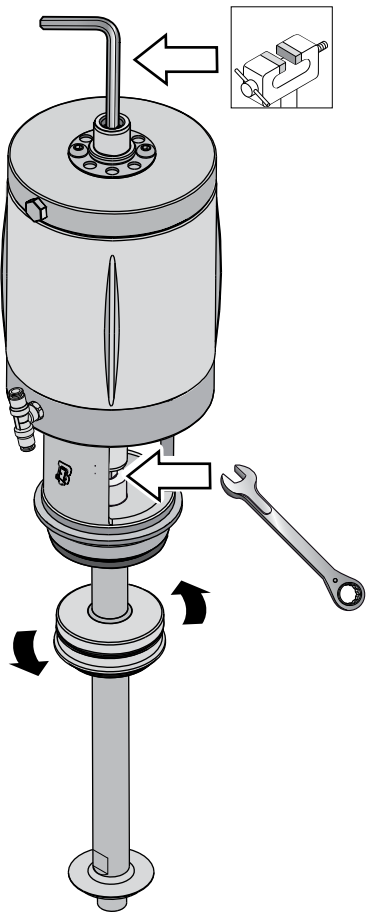
14-b



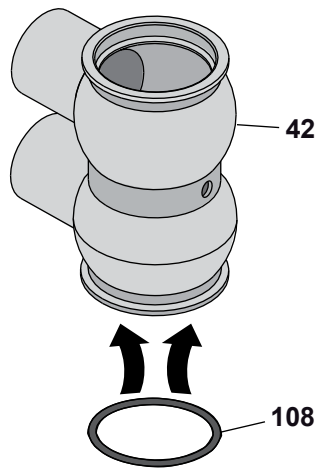
15-b



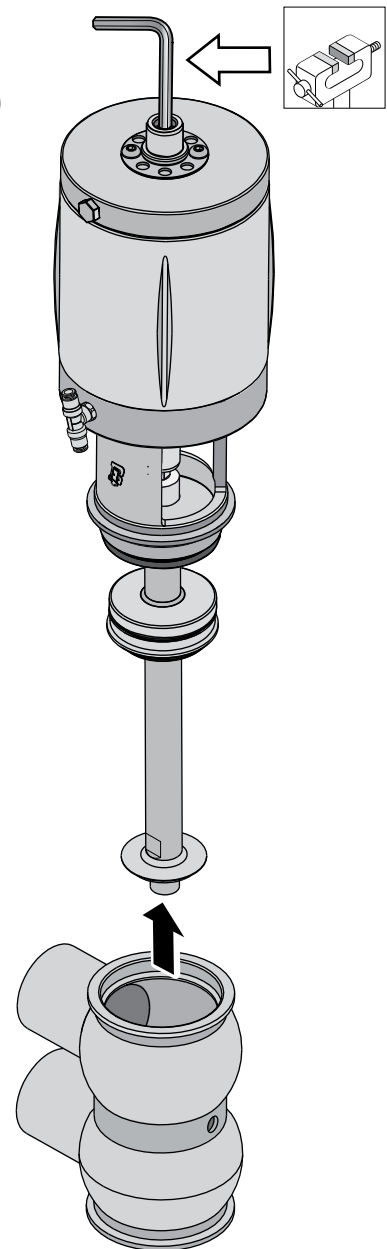
16-b



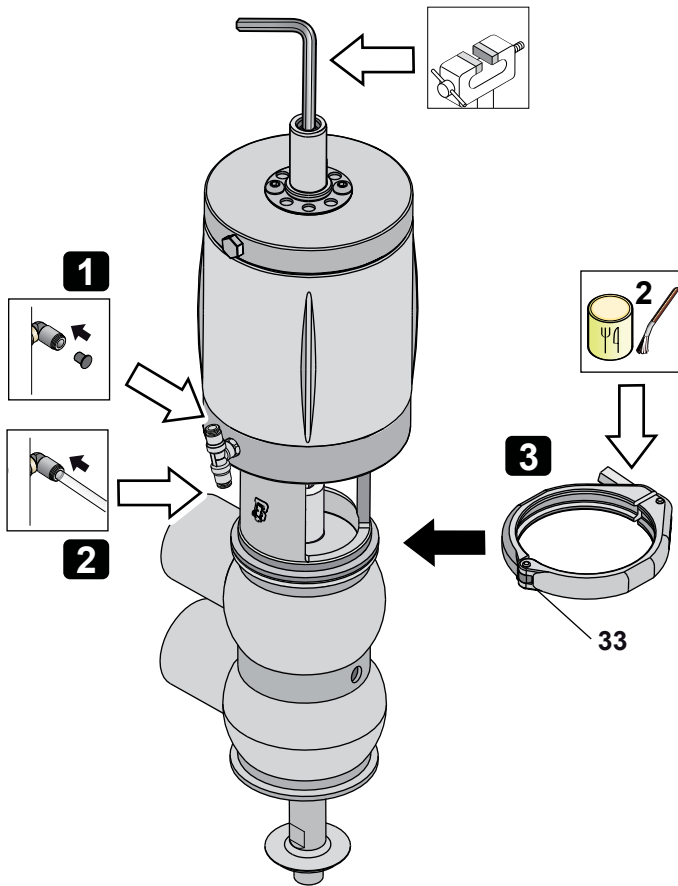
17-b



18-b

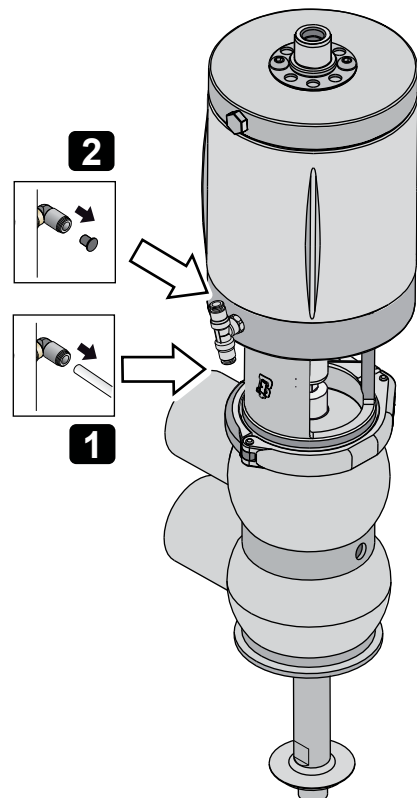


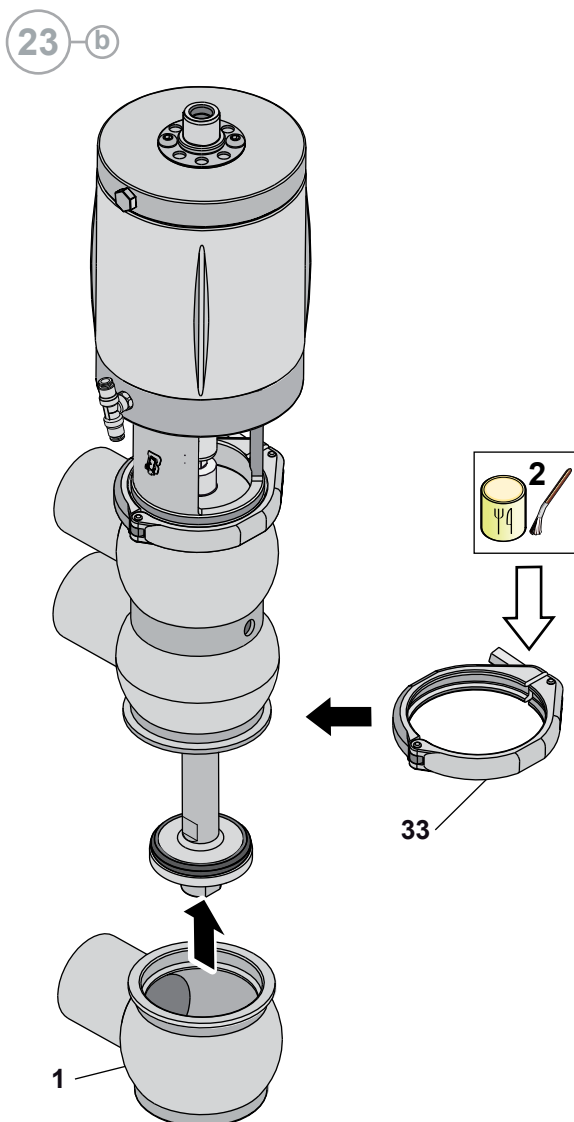
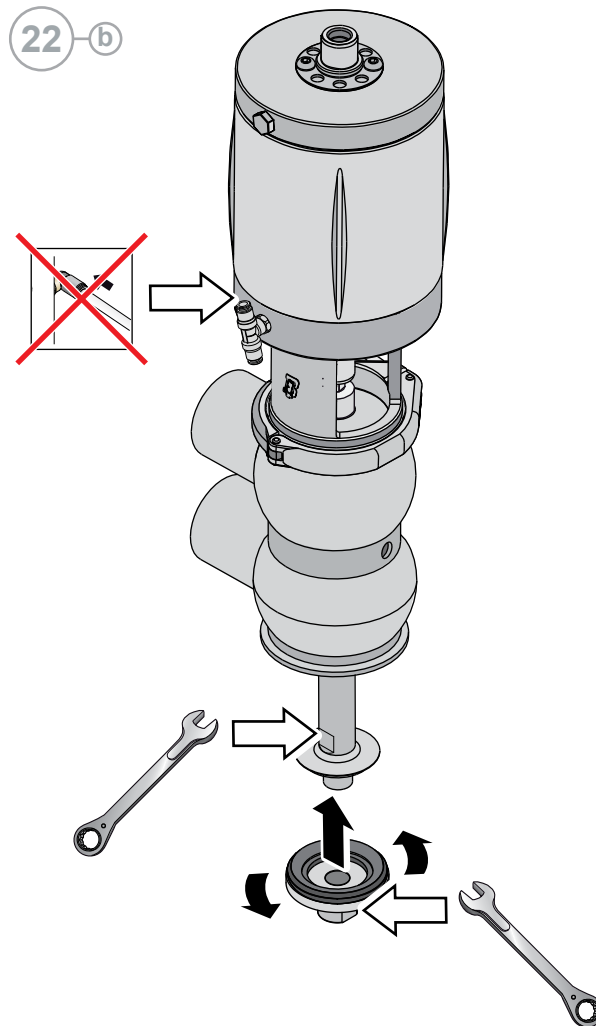
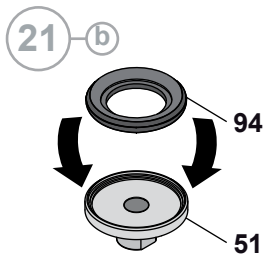
19-b



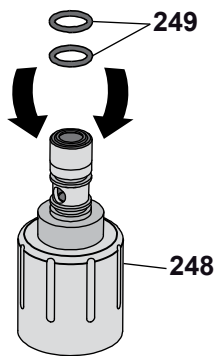
Never touch the moving parts if the actuator is supplied with compressed air

20-b

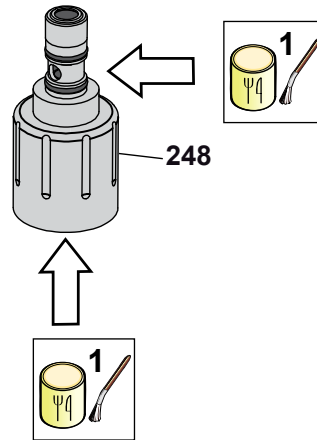




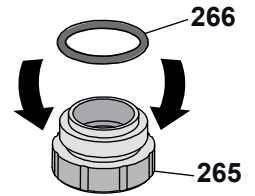
24 (b)



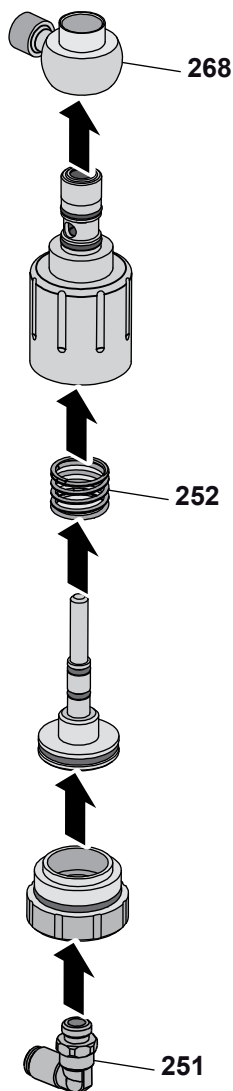
25 (b)



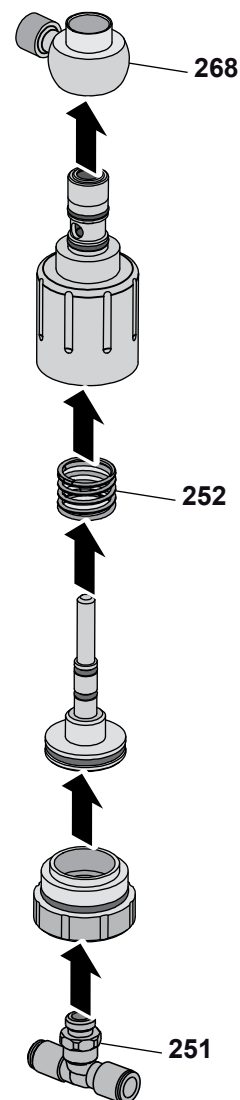
26 (b)



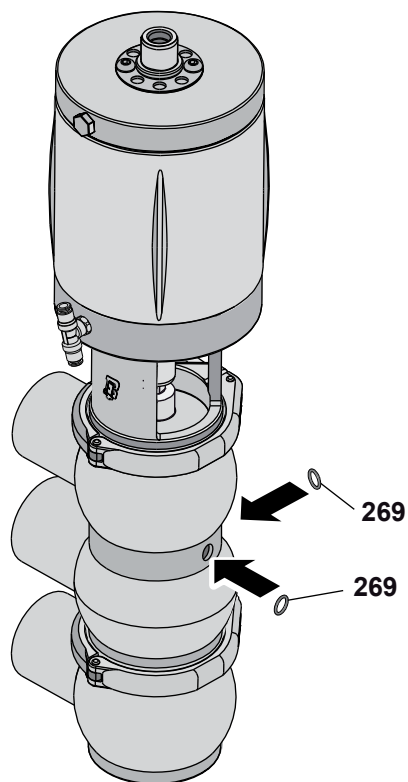
27 (b)



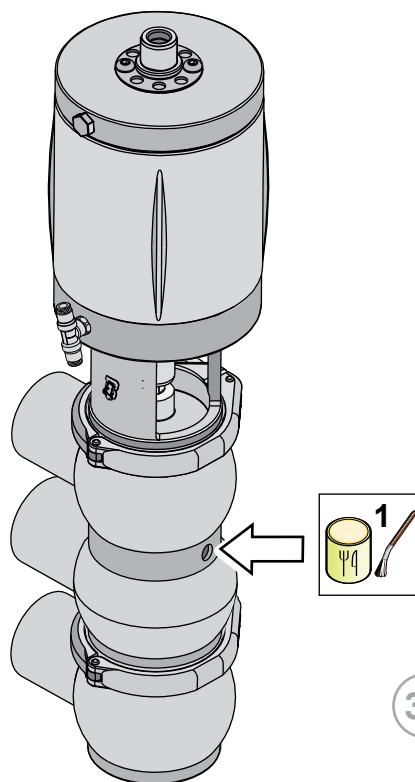
28 (b)



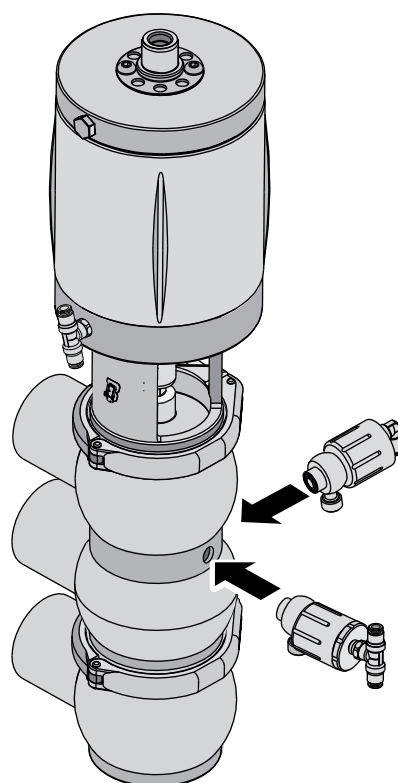
29-b



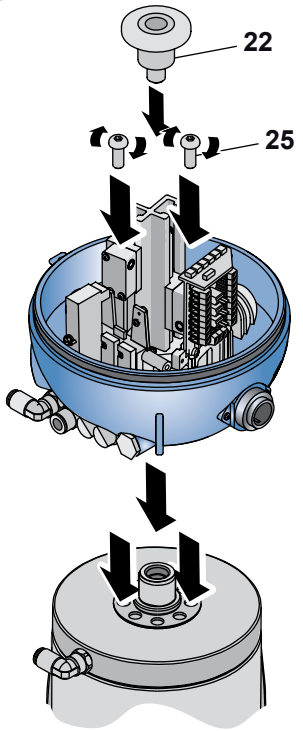
30-b



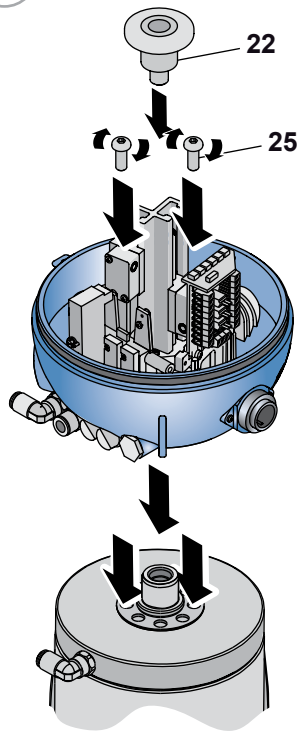
31-b



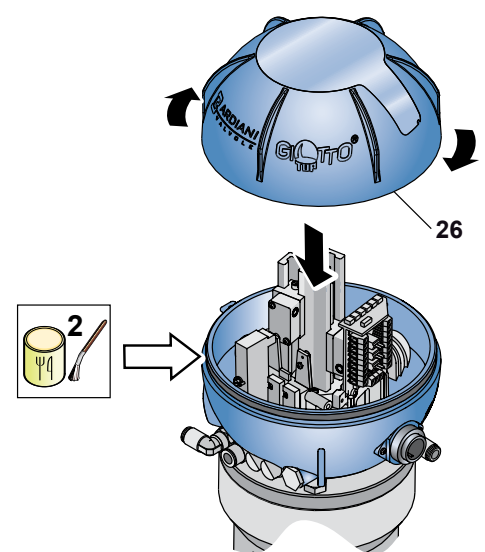
32



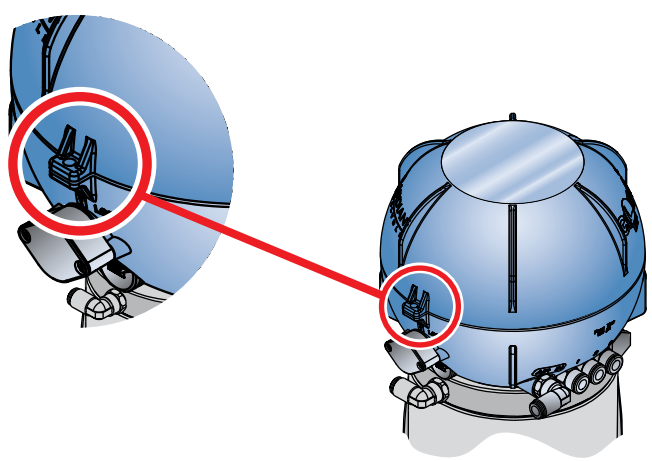
33



34



35



11 Annexes



GB - EC Declaration of conformity - without electric components - A5-P-PRG-GB

EC DECLARATION OF CONFORMITY OF THE MACHINERY

(EC) 2006/42, Annex. II, p. 1 A

BARDIANI VALVOLE S.p.A.

Via G. di Vittorio 50/52 – 43045 Fornovo di Taro (Pr) – Italia

Declares

under its own responsibility that the machine:

Type:	PNEUMATIC VALVES
Model:	#####
Serial number:	#####
Function:	Fluid handling
Year of construction:	2018
Reference	#####

complies with all relevant provisions of the following EC directives:

(EC) 2006/42 MACHINERY

and the following harmonized standards, rules and / or technical specifications applied:

EN ISO 12100:2010

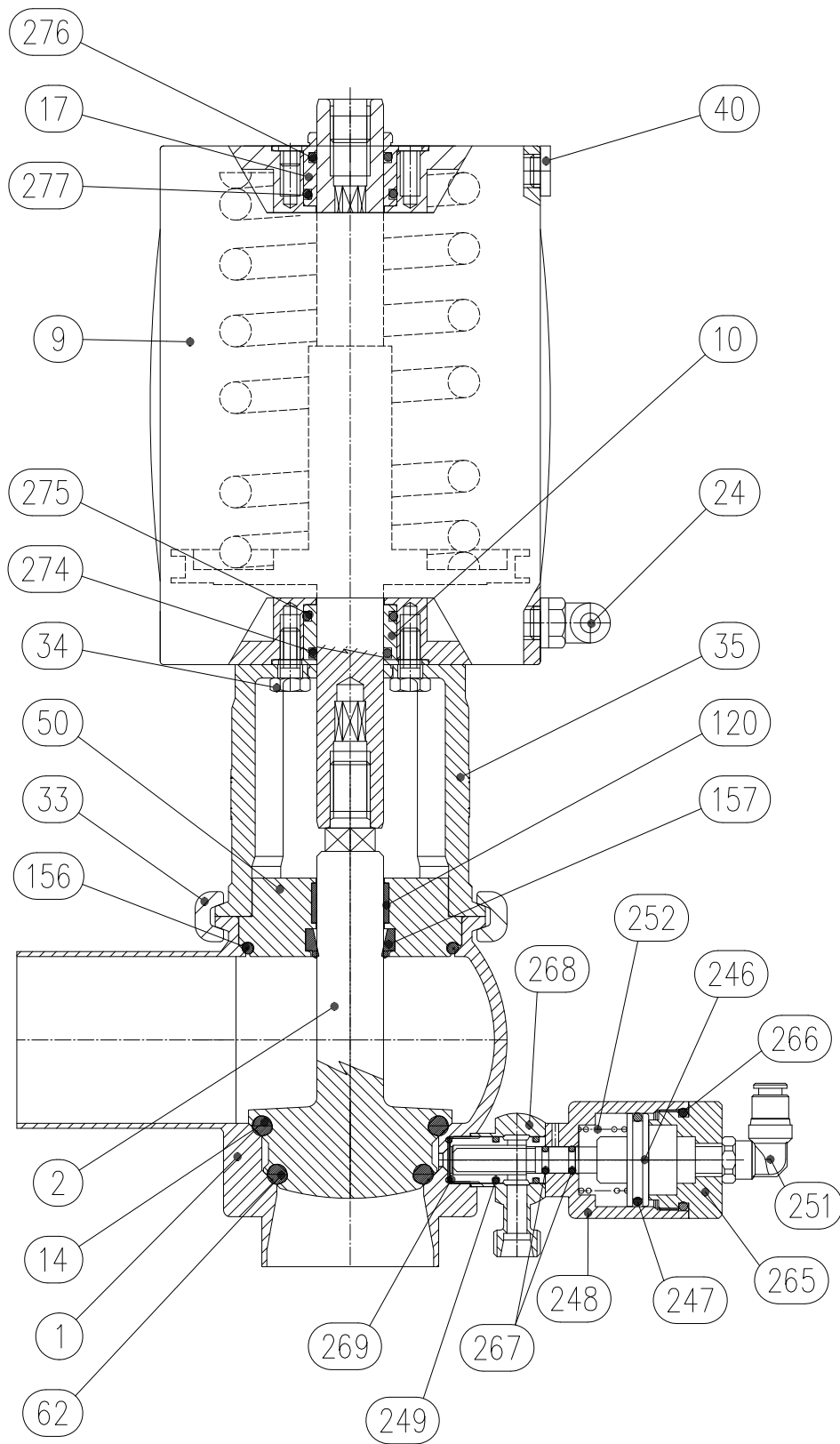
REGULATION (EC) 1935/2004 and subsequent amendments and additions with regard to steel and elastomers in contact with the product

Fornovo di Taro

20/09/2018

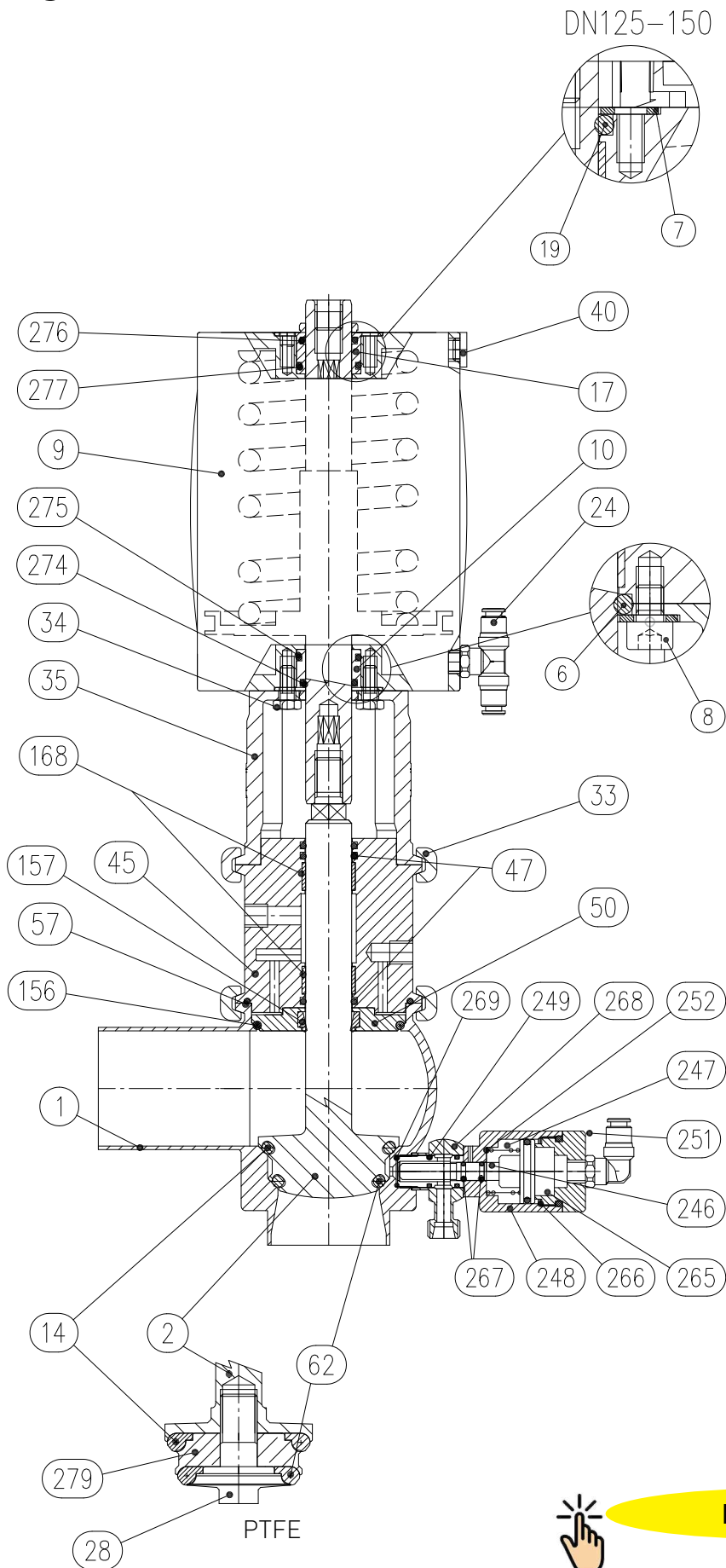
Legal Representative

12 2D diagram BZAW3

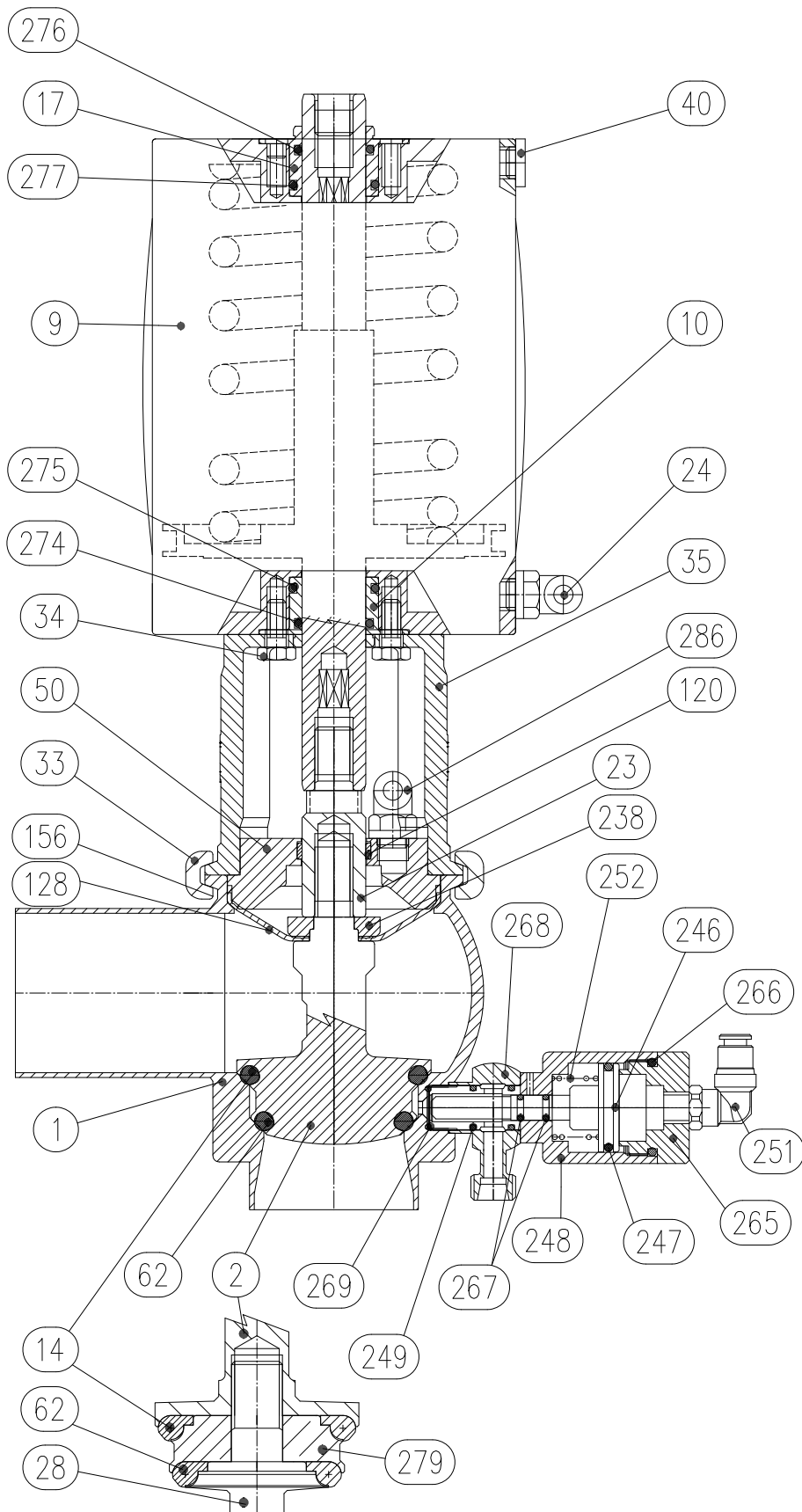


[A BZAW3]

13 2D Diagram BYAW3

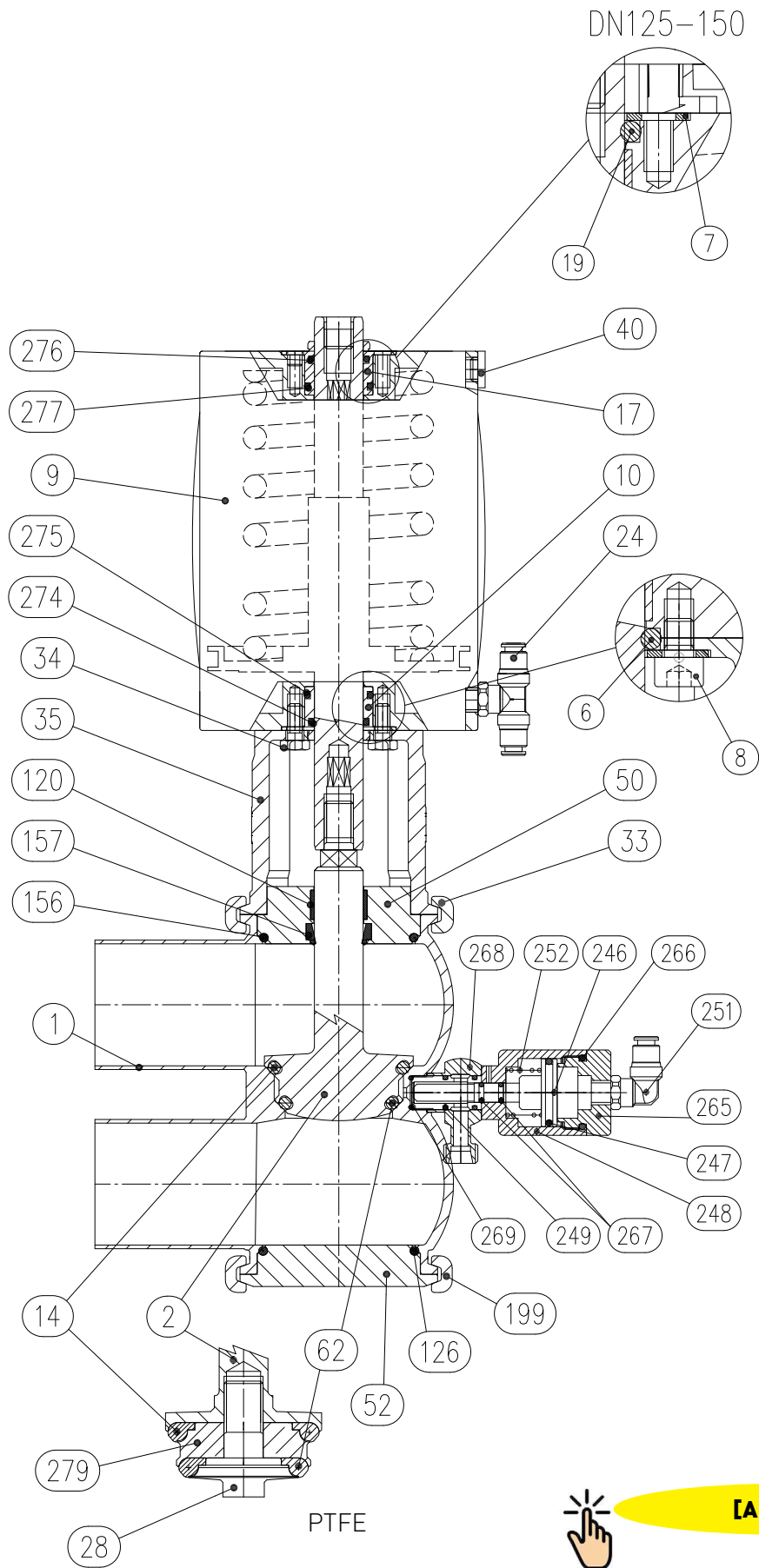


14 2D Diagram BWA3

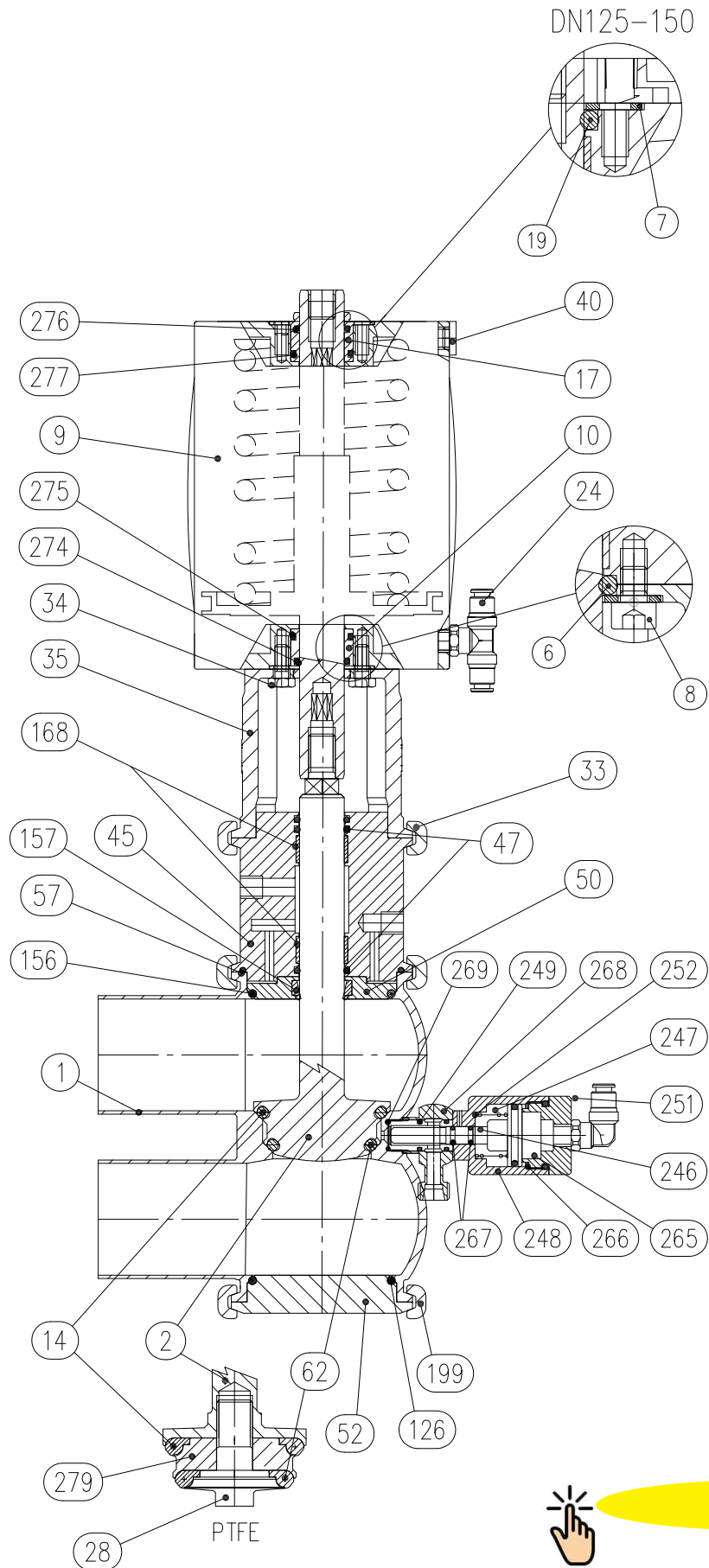


[B S BWA3]

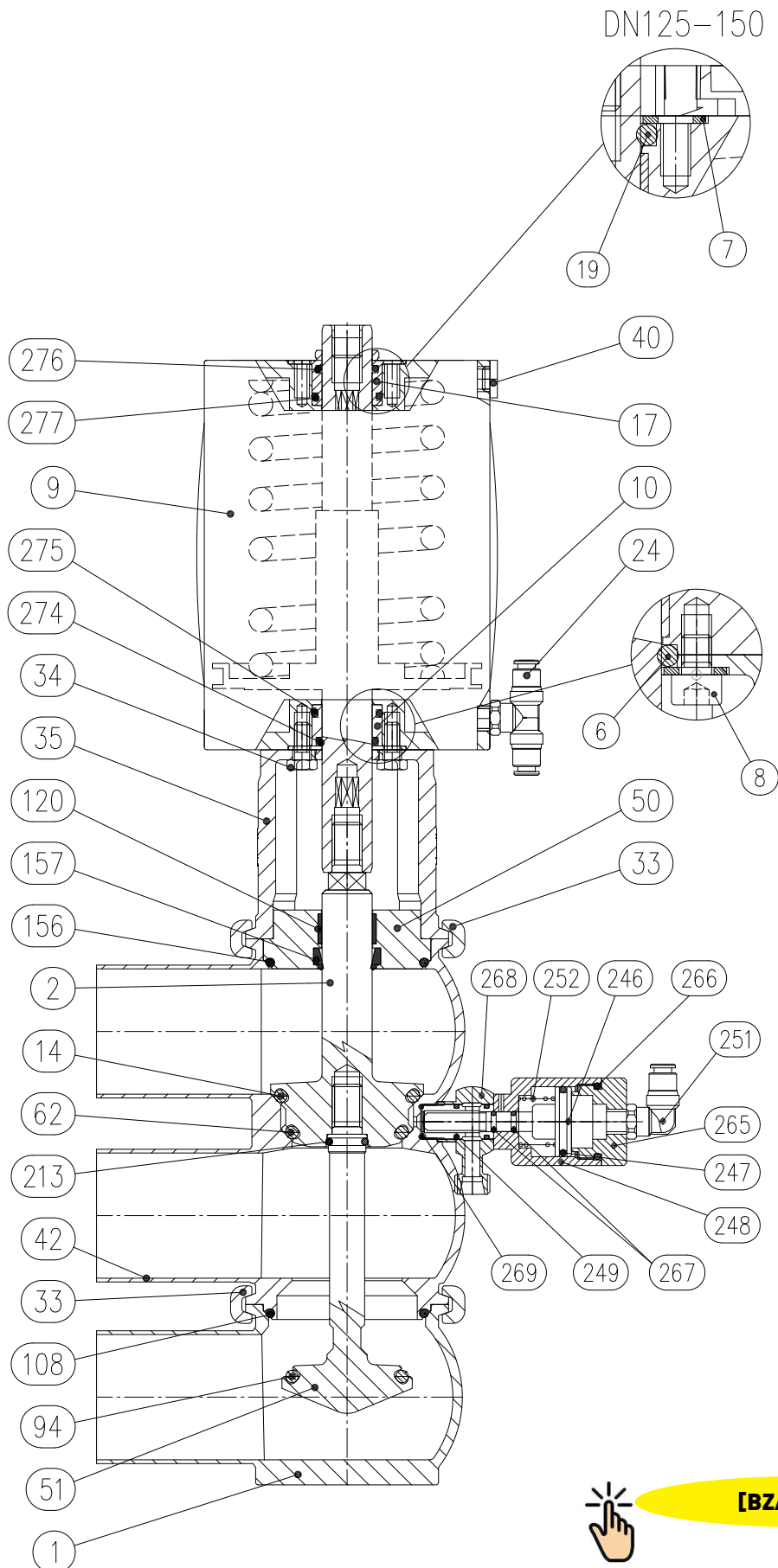
15 2D diagram BZAW3 M8



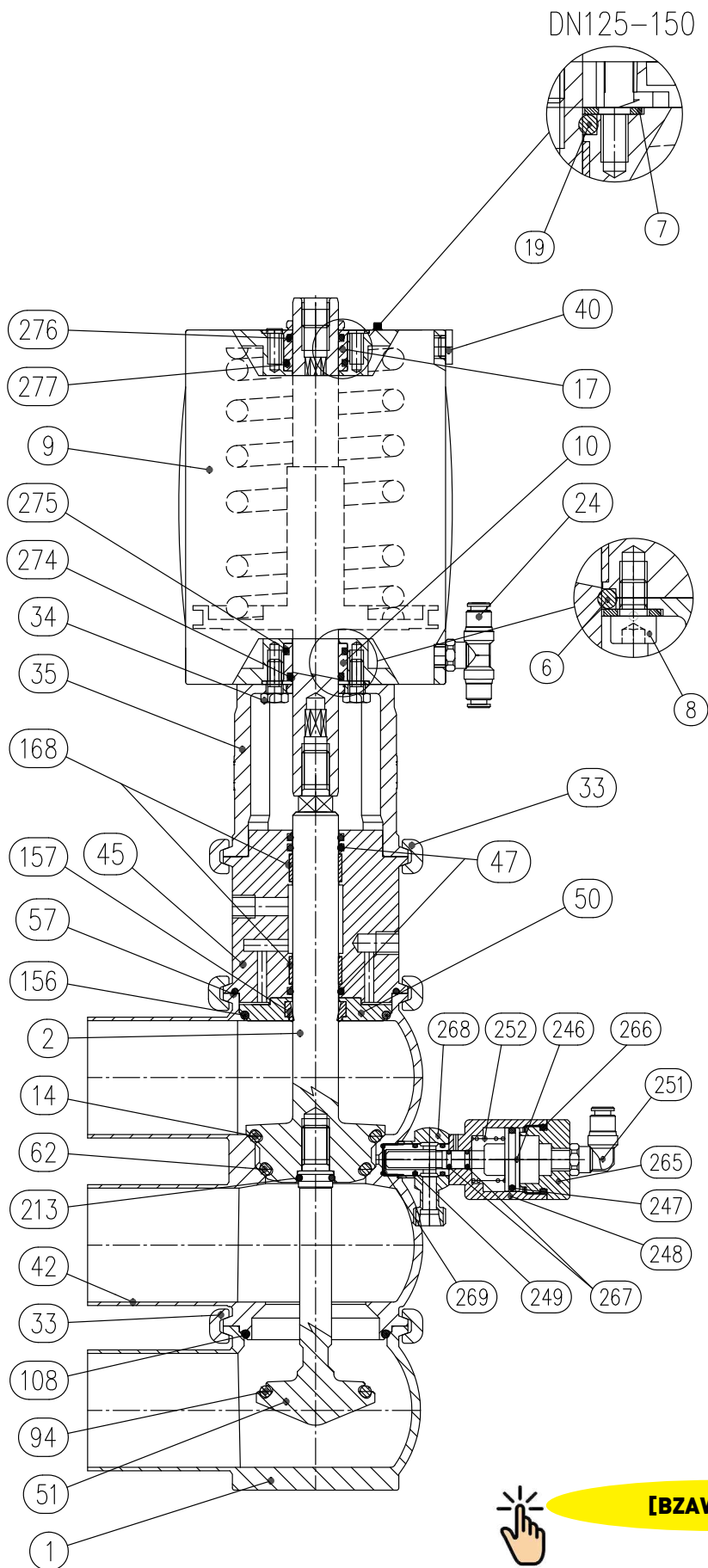
16 2D diagram BYAW3 M8



17 2D diagram BZAW3 Diverter

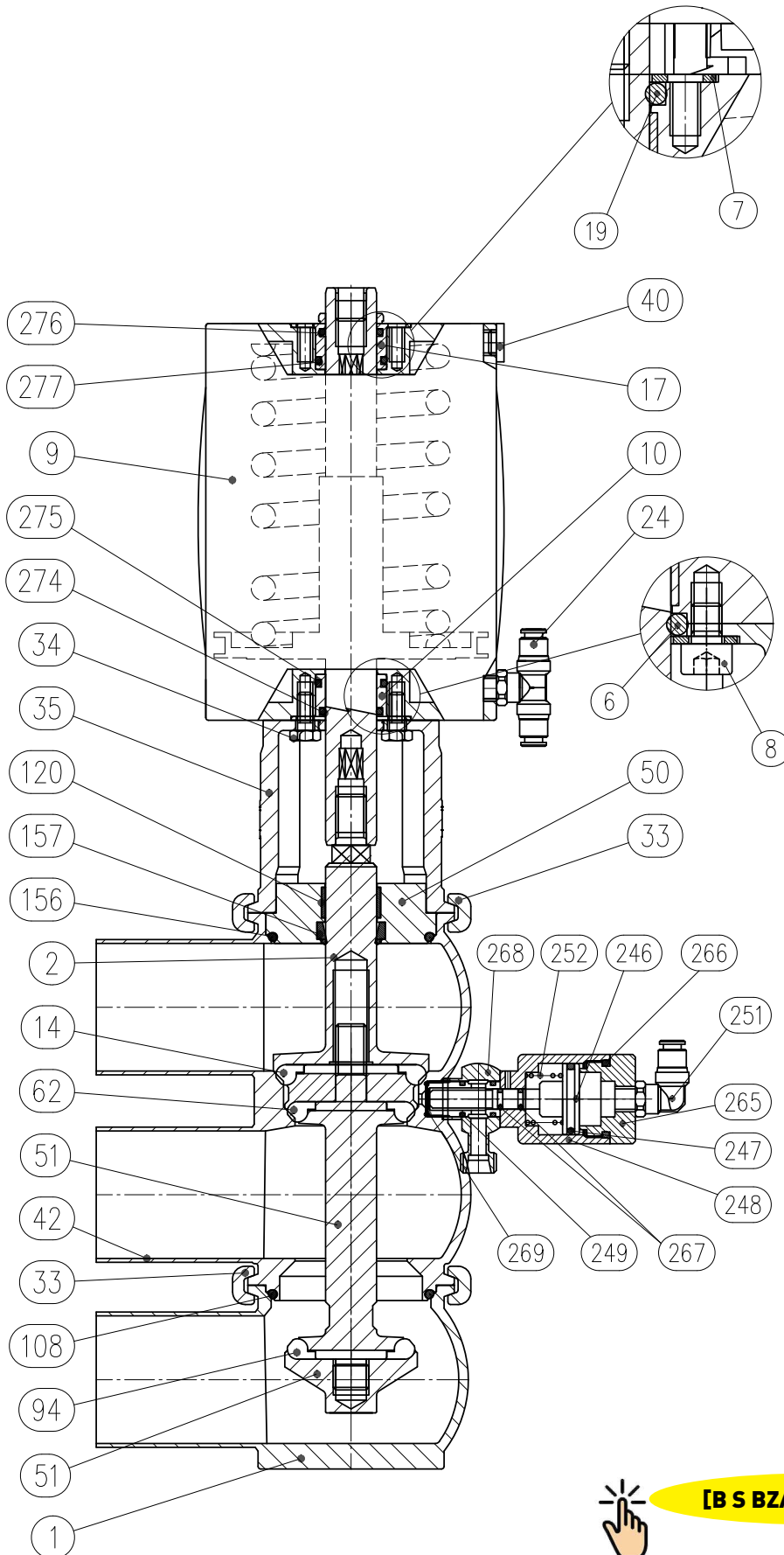


18 2D Diagram BYAW3 Diverter Steam Barrier



19 2D Diagram BZAW3 M8 Diverter (PTFE)

DN125-150



[B S BZAW3-DEV PTFE]

21 Warranty

1. VALIDITY

Bardiani Valvole's Products are manufactured in compliance with the technical specifications laid out in their "Instruction, Use and Maintenance Manual" and are fully compliant with the directives specifically mentioned in these manuals.

Bardiani Valvole S.p.A. guarantees its own Products against any design and/or construction and/or material defects and/or faults for a period of 12 (twelve) months from the date of delivery.

Notification of any Product defects and/or faults must be sent in writing to Bardiani Valvole S.p.A. within 8 (eight) days from their detection, providing adequate documentation of the defect/fault encountered as evidence.

Services provided in the warranty period shall not result in an extension of the warranty beyond the stipulated 12 (twelve)-month period, as this warranty validity period is to be considered mandatory.

2. CONTENTS OF THE WARRANTY

Notwithstanding and without prejudice to the rights of the Buyer, which may be acknowledged by applicable law, this warranty is to be intended as limited, at the discretion of Bardiani Valvole S.p.A., to the repair and/or replacement of the Product and/or part of the Product and/or its components which is/are found to be defective due to design and/or manufacturing and/or material faults.

- In the event of repair and/or replacement of the Product and/or any one of its parts and/or components, any returned item/s shall become the property of Bardiani Valvole S.p.A. and the relative shipping costs shall be charged to Bardiani Valvole S.p.A.
- Bardiani Valvole S.p.A., shall be under no obligation to compensate for any immaterial and/or indirect damages and shall in no way be held liable for consequential damages and/or losses, such as (by way of example only), damages due to loss of business, contracts, opportunities, time, production, profits, goodwill, image etc.
- No retailer or distributor or dealer or agent or representative or employee or person appointed by Bardiani Valvole S.p.A. is authorized to make any amendments and/or integrations and/or extensions to this warranty.

3. WARRANTY EXCLUSIONS

Elastomers are expressly excluded from this warranty.

This warranty does not cover design faults emerging whenever a Product is manufactured by Bardiani Valvole S.p.A. based on designs and/or technical specifications provided by the Buyer.

Moreover this warranty excludes the following:

- faults and/or defects resulting from incorrect and/or unsuitable and/or inadequate transportation of the Product;
- faults and/or defects resulting from failure to comply with the indications laid out in the "Instruction, Use and Maintenance Manual" with regards to installation of the Product or in any event caused by incorrect and/or unsuitable and/or improper installation;
- faults and/or defects resulting from failure to comply with indications laid out in the "Instruction, Use and Maintenance Manual" with regards to use and/or maintenance operations and/or storage of the Product or in any event caused by incorrect and/or unsuitable and/or improper use and/or maintenance operations and/or storage;
- faults and/or defects due to normal wear and tear of the Product and/or its parts and/or its components;
- faults and/or defects in the Product and/or its parts and/or its components for work and/or repairs being carried out by unskilled staff or staff that has not been authorised by Bardiani Valvole S.p.A.;
- faults and/or defects in the Product and/or its parts and/or its components due to it/them being dropped and/or banged and/or dented and/or misused and/or tampering and/or breakage and/or accidents or in any event due to negligence and/or carelessness and/or neglect by the Buyer and in general for any causes not attributable to design and/or manufacturing and/or material defects;
- faults and/or defects in the Product and/or its parts and/or its components caused by other events beyond the control of Bardiani Valvole S.p.A., such as force majeure or unforeseeable circumstances.

22 Recommendations

- 1.** Consultation of the "Instruction, Use and Maintenance Manual" is mandatory prior to the installation, use and maintenance of the products of all Products. All the information, indications, specifications, technical details provided herein are based on test data which the Manufacturer Bardiani Valvole S.p.A. holds to be reliable nevertheless the above is not deemed to be assumed as fully exhaustive inasmuch as not every possible use has been envisaged.
- 2.** All the illustrations and drawings provided are to be intended as indicative and therefore not binding, the illustrations being for presentation purposes only.
- 3.** It is the Buyer's duty to assess the suitability of the products for the use he intends to make of the same prior to placing the order as he/she will take the risks and accept liability in case of incorrect choice and use of the Products.
- 4.** The Manufacturer strongly recommends the Buyer to contact their sales team and request any information that might be needed in relation to the specifications and uses of the Products.
- 5.** The information provided in this manual refers to the standard products manufactured by Bardiani Valvole S.p.A. and therefore cannot be assumed to apply to customized products as well.
- 6.** Bardiani Valvole S.p.A. reserves the right to amend and/or integrate and/or update the data and/or information and/or technical details relative to Products at any time and without prior notice. Please visit the website www.bardiani.com, where the latest updated of the "Instruction, Use and Maintenance Manual" can be found".
- 7.** The content and validity of the warranty covering the Products of Bardiani Valvole S.p.A are dealt with in the relevant section in the "Instruction, Use and Maintenance Manual" which constitutes an integral part of the Products themselves.
- 8.** Bardiani Valvole S.p.A., shall not in any way be held liable for immaterial, indirect and consequential damages, such as (by way of example only), damages or loss of business, contracts, opportunities, time, production, profits, goodwill, image etc..

NOTES

NOTES

Bardiani Valvole S.p.A.
via G. di Vittorio, 50/52 - 43045 Fornovo di Taro (PR) - Italy
tel. +39 0525 400044 - fax +39 0525 3408
bardiani@bardiani.com - www.bardiani.com