

BBNRV

CHECK VALVE

Description

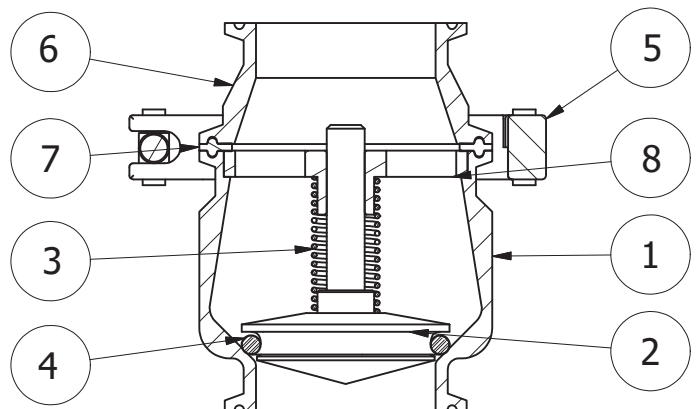
Check valve **BBNRV** prevents fluid from flowing backwards. It ensures that fluid flows in only one direction.

It can be used to prevent water hammer.

Check valve opens when the pressure of the fluid exceeds the pressure applied by the spring. When the two pressures are compensated, the valve closes. A higher counter-pressure will ensure the valve closes. Valve design is optimized for vertical position installation.

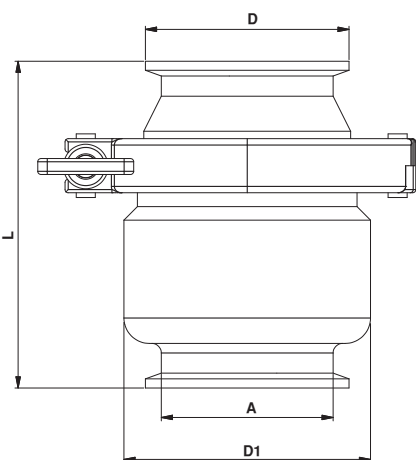
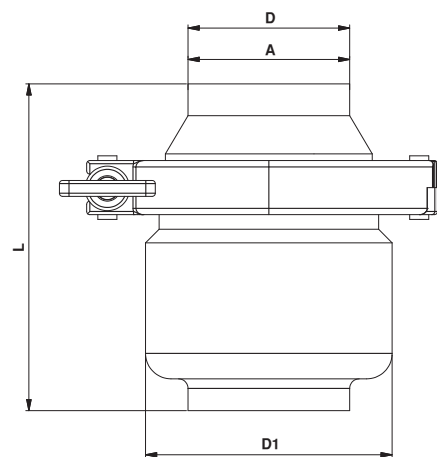
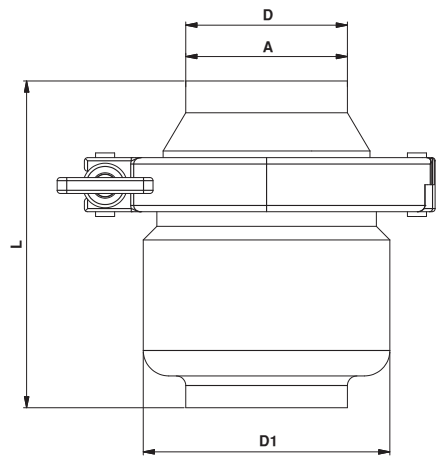


VALVE STRUCTURE	
Connections from DN25 to DN100 - 1/2" to 4"	DIN 11850-2, BS (RJT), Clamp
Material in contact with the product	AISI 316L (1.4404)
Material gaskets in contact with the product (FDA homologation)	EPDM, FKM, VMQ
Max product temperature (EPDM applications with air)	120 °C (248 °F)
Min product temperature (EPDM applications with air)	-10 °C (14 °F)
Max working pressure	10 bar (145 psi)
Roughness	Ra ≤ 0.8 std Ra ≤ 0.4 On request



PARTS LIST	
Pos.	Description
1	Valve body
2	Plug
3	Spring
4	O-ring
5	Clamp
6	Reducer
7	Gasket
8	Diaphragm

BBNRV CHECK VALVE DIMENSIONS



DN	S/S			
	A	D	D1	L
25	29x1.5	29	50,5	94
32	35x1,5	35	50,5	95
40	41x1,5	41	64	101,5
50	53x1.5	53	77,5	102
65	70x2	70	106	123
80	85x2	85	130	127
100	104x2	104		

OD	S/S			
	A	D	D1	L
1/2"	12,7X1,65	12,7	25	74
3/4"	19X1,65	19	40	75
1"	25,4X1,65	25,4	50,5	94
1" 1/2	38,1x1,65	38,1	64	95
2"	50,8x1,65	50,8	77,5	102
2" 1/2	63,5x1,65	63,5	91	110
3"	76,2x1,65	76,2	119	125
4"	101,6x2,11	101,6	129	136

OD	CLAMP			
	A	D	D1	L
1/2"	12,7x1,65	25	25	74
3/4"	19X1,65	25	40	75
1"	25,4X1,65	50,5	50,5	94
1" 1/2	38,1x1,65	50,5	64	95
2"	50,8x1,65	64	77,5	102
2" 1/2	63,5x1,65	77,5	91	110
3"	76,2x1,65	91	119	125
4"	101,6x2,11	119	129	136